

# Multianode Photomultipliers as Position Sensitive Detectors of Single Photons

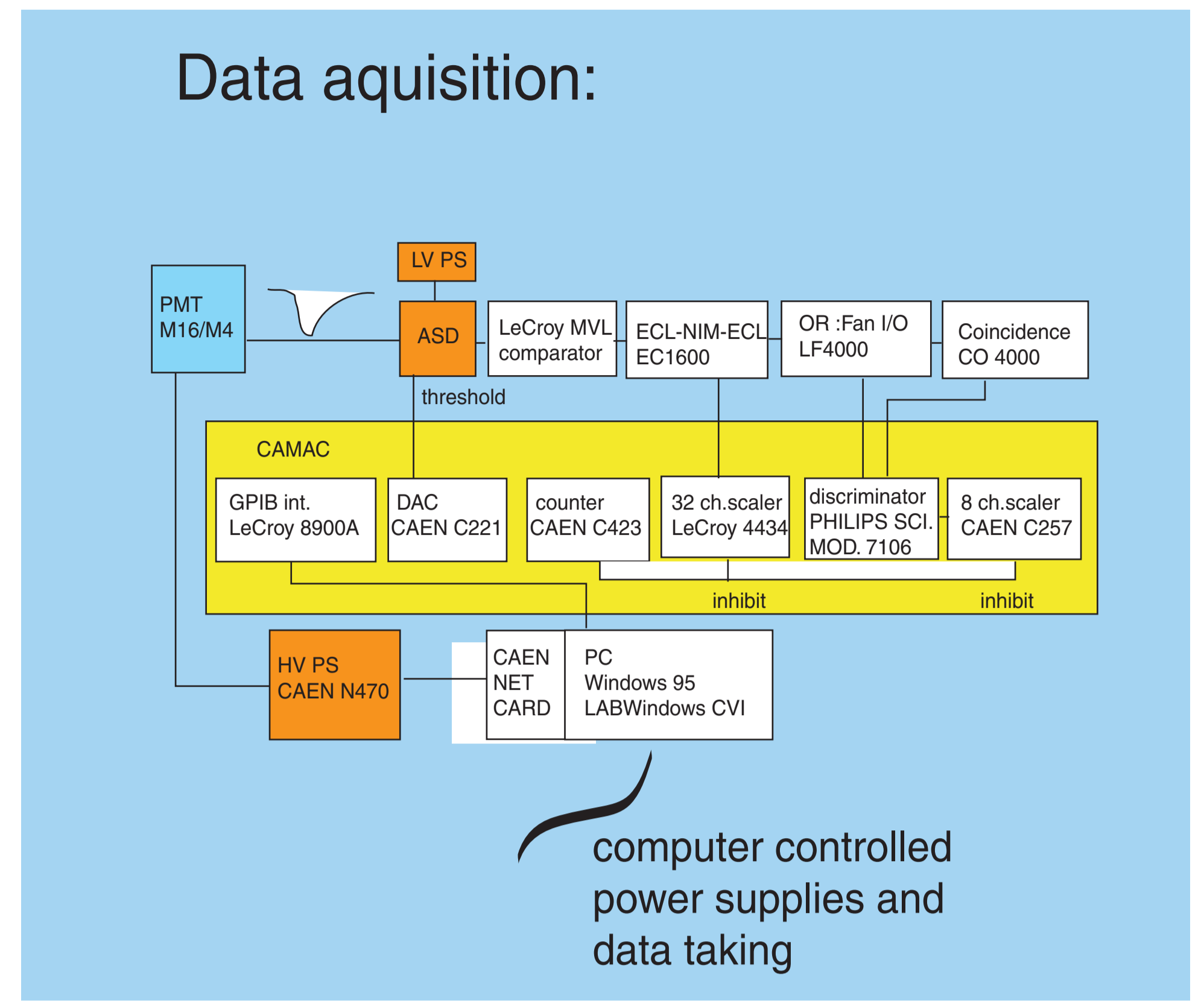
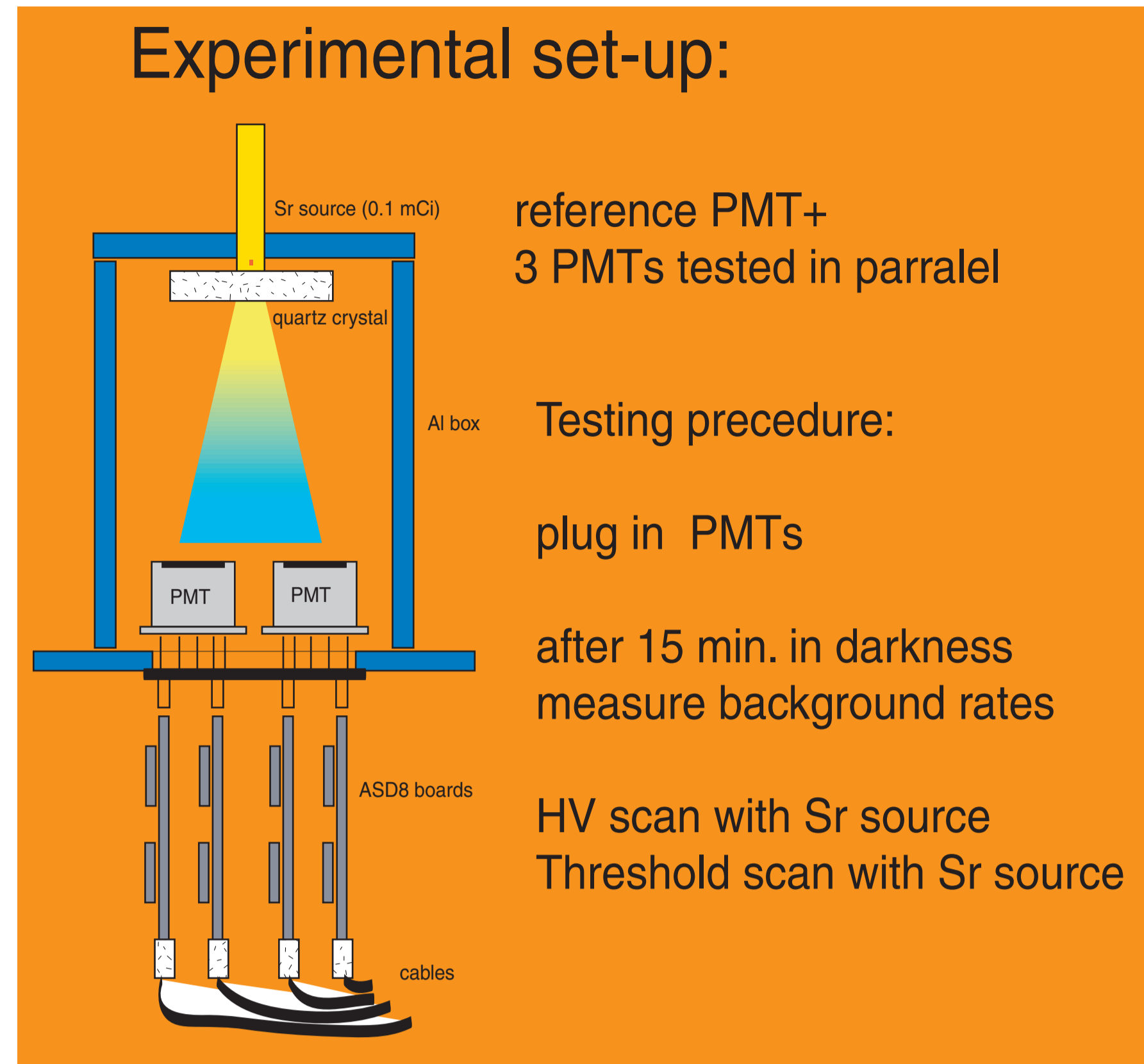
S.Korpar, P.Križan, A.Gorišek, R.Pestotnik, A.Stanovnik, M.Starič, D.Škrk

## QUALITY ASSESSMENT TEST:

Goal: determine the operational values for:  
- 1500 M16 and  
- 750 M4 (UV window)  
Hamamatsu R5900 PMTs

### PMT characteristics for M16(M4):

Spectral response: 270(220) to 570 nm  
Quantum efficiency at peak : 22%  
Photocathode : Bialkali  
Effective area : 18mm x 18 mm  
Anode divisions : 4x4(2x2)  
Maximum HV: 1000(900) V



**Tests done:**  
High Voltage scan - Rate vs. applied High Voltage  
Threshold scan - Rate vs. Threshold of the pulse height discrimination

**Results:**  
determination of operational HV for each PMT  
measurement of detection efficiency ( Relative Quantum efficiency - RQE) for each PMT  
measurement of background rate

