

SA02 board design

B2GM

Andrej Seljak
Samo Korpar

F9 IJS
Hawaii, September 2010



Investing in your future

OPERATION PART FINANCED BY THE EUROPEAN UNION
European Social Fund

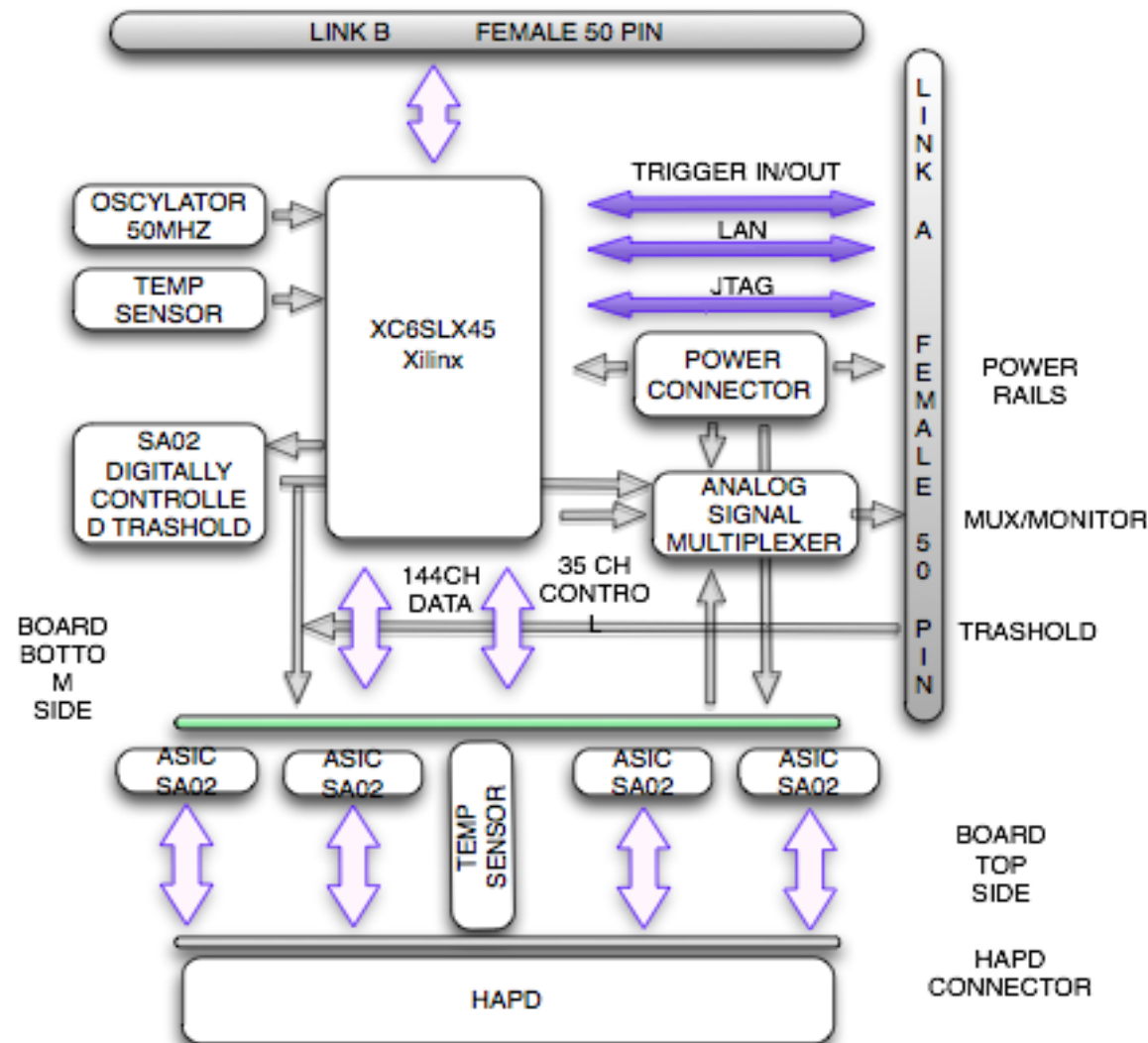
SA02 board design

- System overview
- Project status end August
- Work schedule
- Future plans

SA02 – system overview

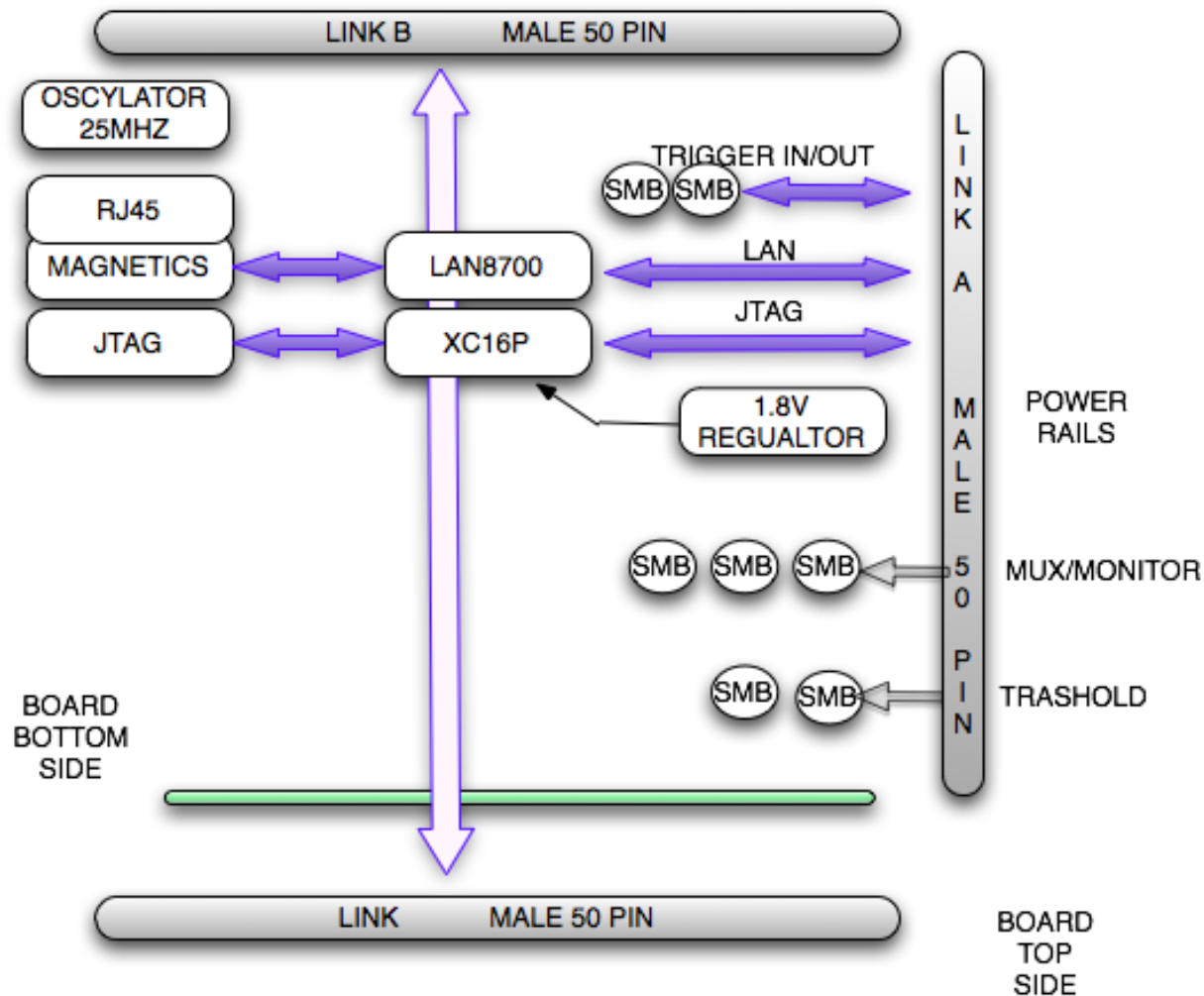
- System design shown on 5.7.2010 at B2GM (short block diagram next slide)
- Added possibility to generate variable amplitude analog pulses from FPGA to Test input pins on Asics. (diagnostics)

SA02 – Board functional block scheme



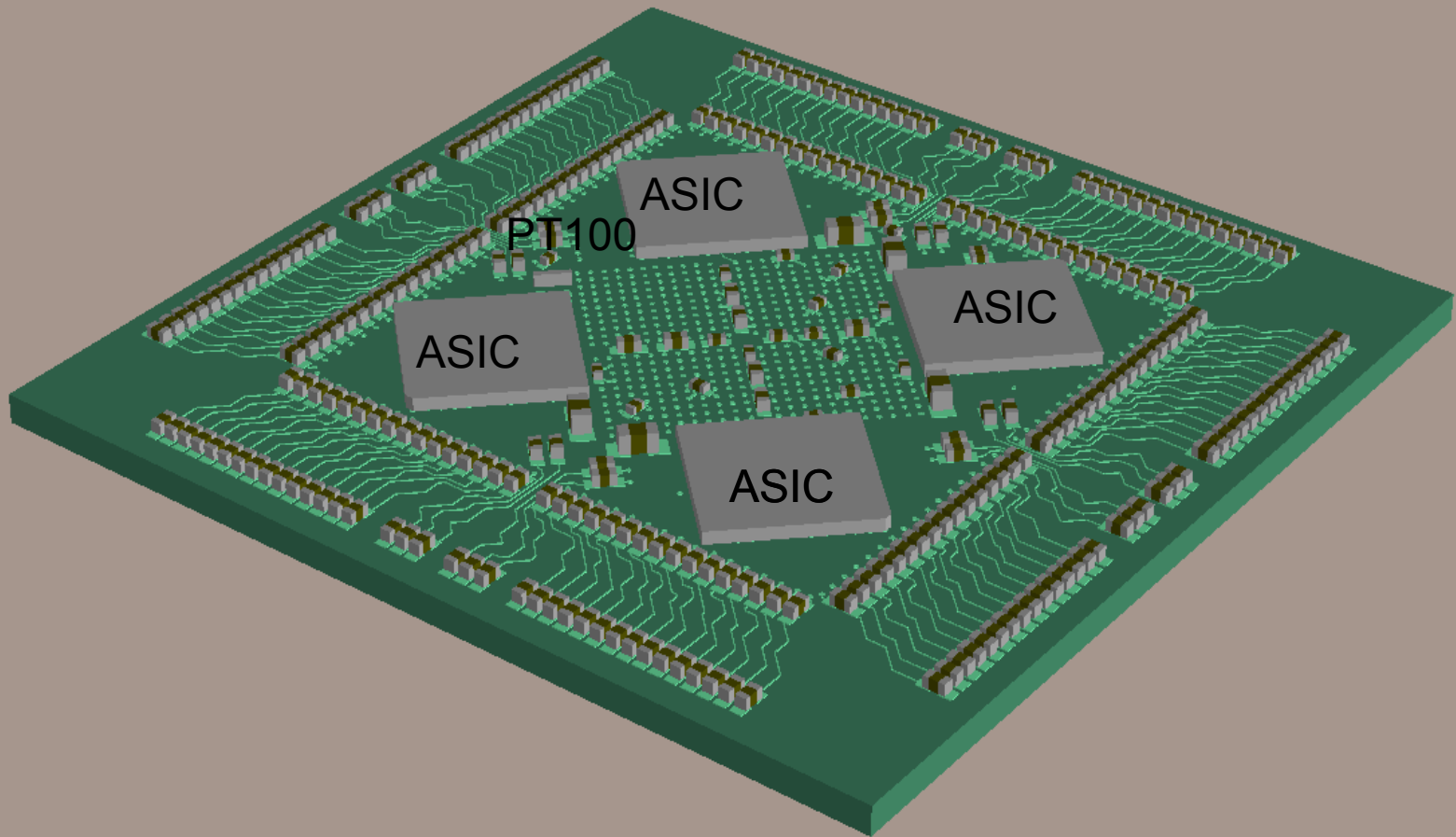
SA02 – Piggy

Functional block scheme



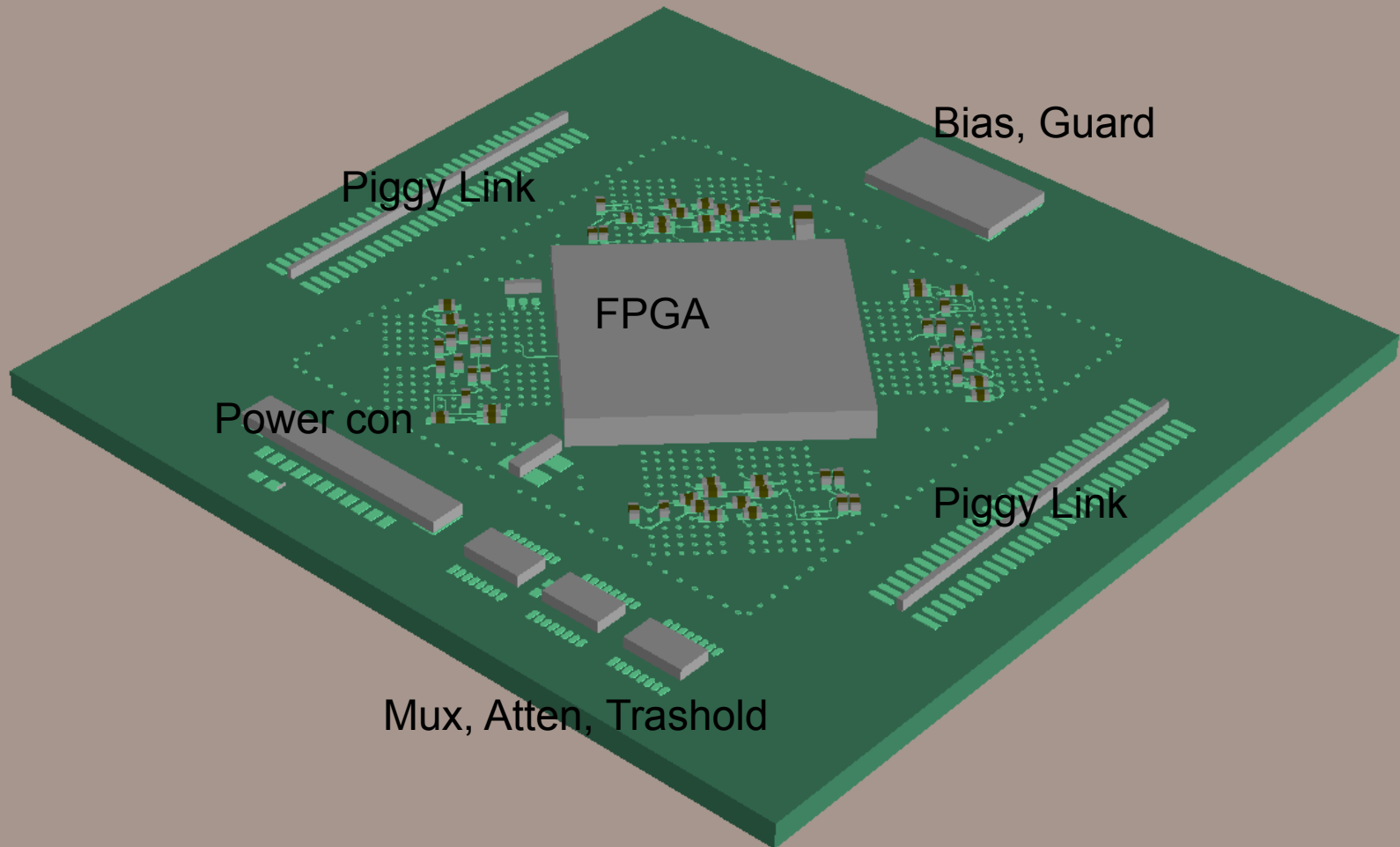
SA02 - Board Pcb

TOP side



SA02 - Pcb

Bottom side



SA02 –Board project status

- Schematics are completed.
- Pcb routing for SA02 will soon be finished.
- Piggy board design ready, routing needed.
- Spartan6 chips delivered, Asics are on the way
- Ordering of connectors and the reaming chips.

SA02 – Board production schedule

- Components ordering – now, some are here already.
- PCB Production in mid September at Elgoline
- Board soldering planed for end September
- First prototype should be ready beginning October

SA02 – BoardFuture plans

- Update documentation on Arich website.
- Prepare drafts for IP core for FPGAs and drivers
- Define data structures.
- Start and debugging.