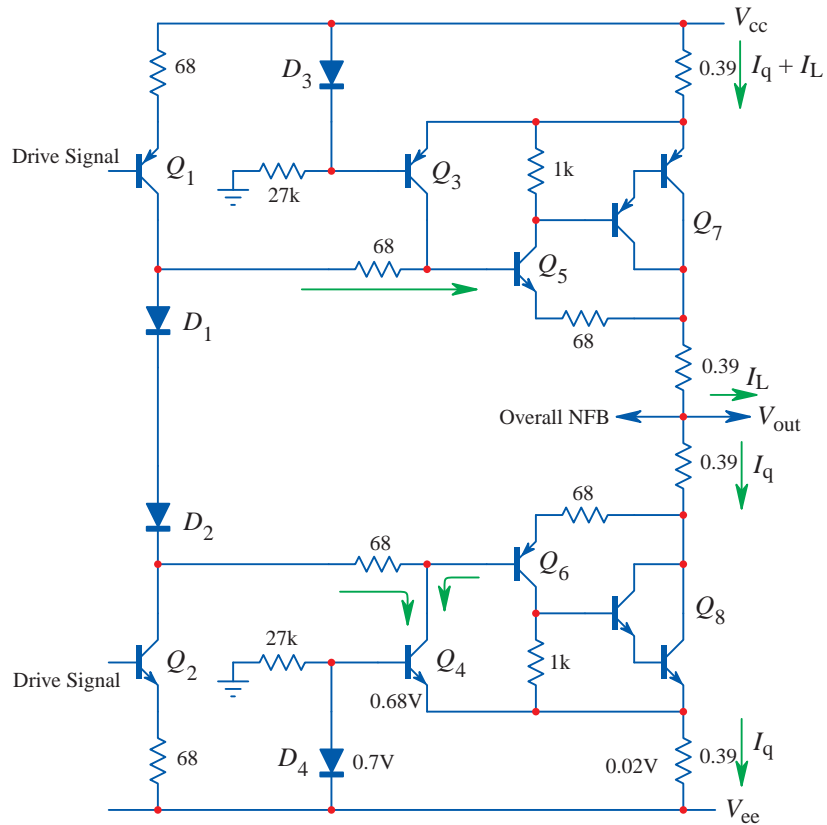


NSB Power Amplifier

Original circuit (1985)



Version of 1987

