

Parameter	Value	Unit
Hold Momentum	26	Ncm
Half-Step Angle	0.9	degree
Steps/Rotation	400	-
Nom. Voltage	2.9	V
Nom. Current	1.7	A
Nom. Resistance	1.7	Ohm
Nom. Inductance	27	mH
Max Step Freq.	3600	Hz
Max Cps	9	Hz
Max RPM	540	rpm
Torque	>14	Ncm

Mode - Half-Step

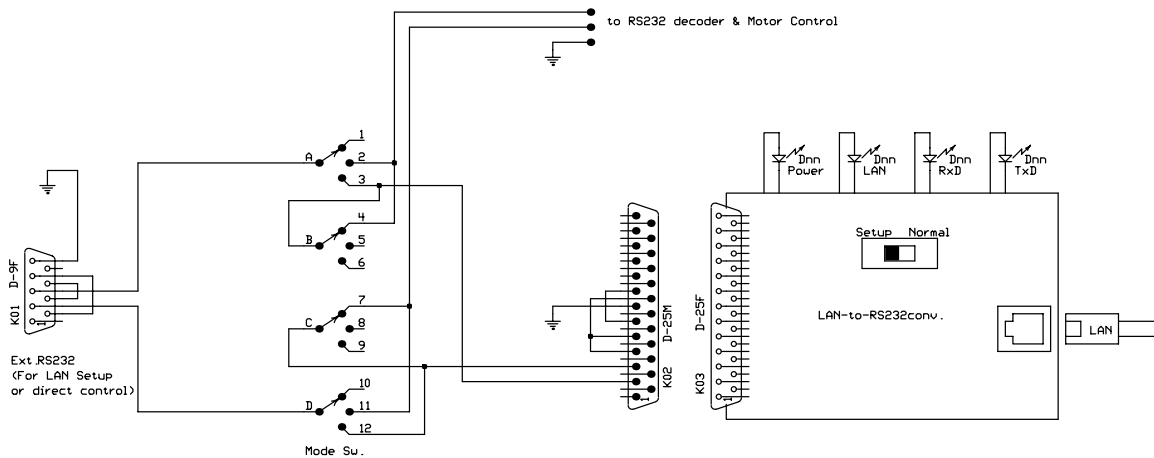
**Institut Jožef Stefan**

projekt/naloga : **Premik laserskih zrcal**

sestavni del : **Krmiljenje mot.**

pripombe : tolerance uporov 5 % datum 2002.08.26.  
 tolerance kondenzatorjev 20 % list 1/3  
 koda F977-VJ-X1





Ext RS232  
(For LAN Setup  
or direct control)

Mode Su.

Position	Operation
1)	LAN Motor Control
2)	RS232 Motor Control
3)	LAN Address Setup

**Institut Jožef Stefan, Ljubljana**

projekt/naloga :	Premik laserskih zrcal			
sestavni del :	LAN-to-RS232	nadrtoval risal	E. Margan E. Margan	
pripombe :	tolerance uporov	5 %	datum	2002.09.30.
	tolerance kondenzatorjev	20 %	list	3/3
			koda	F977-U1-X1

