

$$R_t = R_o (1 + a * (T - T_o))$$

$$R_o = 100 \text{ at } T_o = 273K$$

$$a = 0.003850 / K$$

$$R_4 = 9 * R_3$$

$$R_2 = 9 * R_1$$

$$R_1 = k * R_3$$

$$R_2 = k * R_4$$

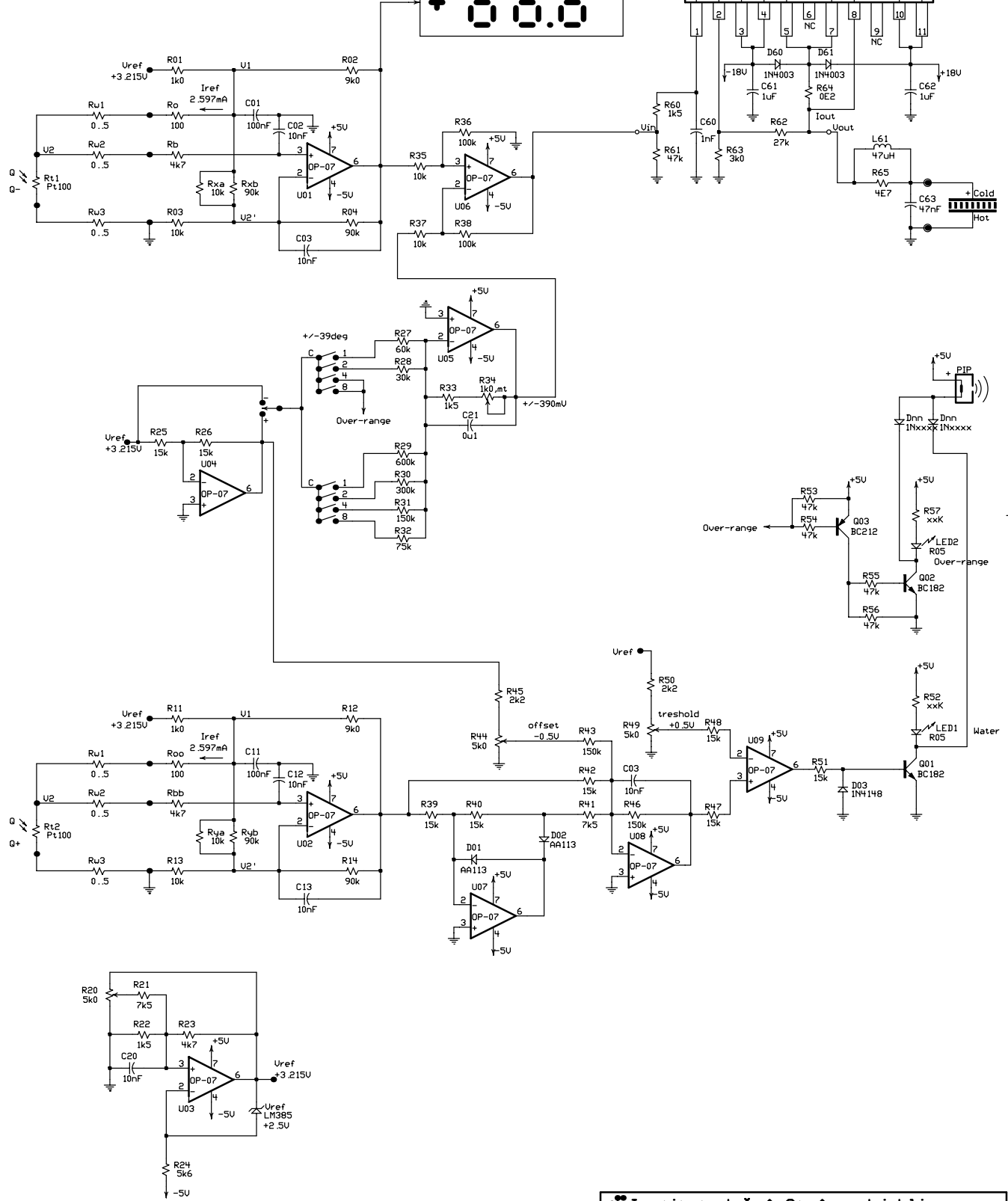
$$k = 0.1$$

$$U_{out} = I_{ref} (R_t - R_o) (1 + R_4/R_3)$$

$$I_{ref} = U_{ref} / (R_1 + 2.31 * R_o + 2.31 * R_u)$$

+ 88.8 °C

OPA541



Institut Jožef Stefan, Ljubljana			
projekt/naloga :	Probe-Station Temperature		
sestavni del :	Pt100+Peltier	načrtoval :	E. Margan
pripombe :	tolerance uporov 0.1 %	risal :	E. Margan
	tolerance kondenzatorjev 10 %	datum :	1998.03.06.
		list :	1/1
		koda :	F990-U1-X1