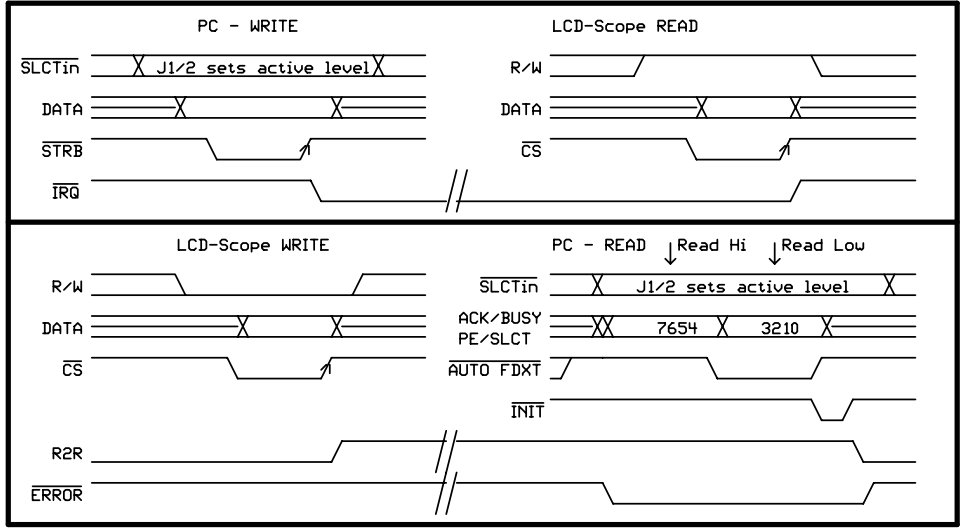


PROTOCOL :  
 PC ==> MASTER  
 LCD-Scope ==> SLAVE  
 CS = P5 = Addr. 0030 - 0033 hx

PRN Control Outputs  
 bit 0 = STROBE bit 3 = SLCTin  
 bit 1 = AUTOFDXT bit 4 = EIRQin  
 bit 2 = INIT  
 bits 5,6,7 - not used

PRN Status Inputs  
 bits 0,1,2 - not used  
 bit 3 = ERROR  
 bit 4 = SLCT bit 6 = ACK  
 bit 5 = PE bit 7 = BUSY



Reserved:  
 RS-232 :  
 18-->RxD (2)  
 19-->TxD (3)  
 20-->GND (7)

<b>Institut Jožef Stefan</b>			
projekt/naloga :	<b>LCD-Scope / MR-Imager</b>		
sestavni del :	<b>PRN-Com</b>	načrtoval	E. Margan
priloge :		risal	E. Margan
tolerance uporov	5 %	datum	1994.10.08
tolerance kondenzatorjev	20 %	list	1/1
		koda	F515-U2-X2