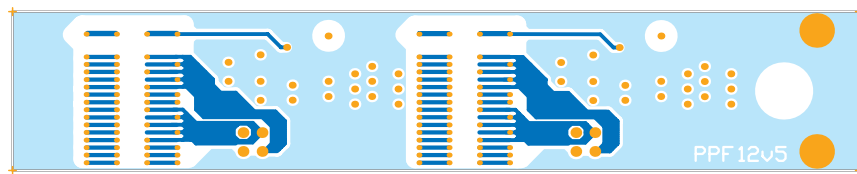
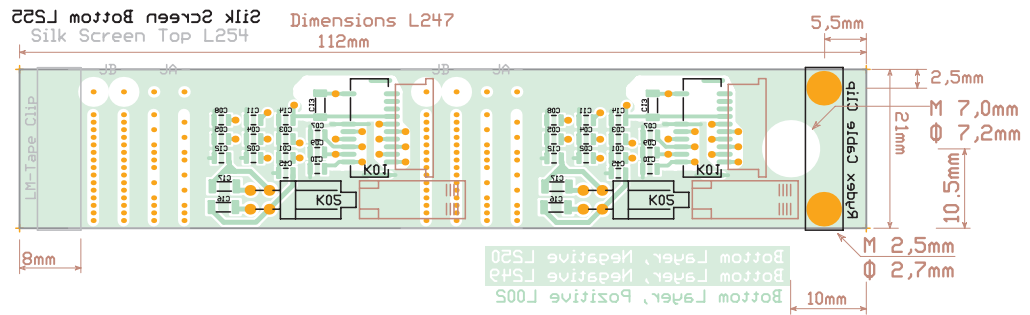
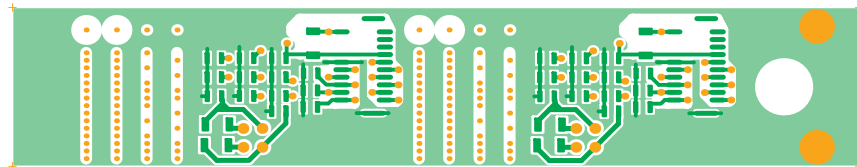


PPF1-2-v5 (2004.02.26)

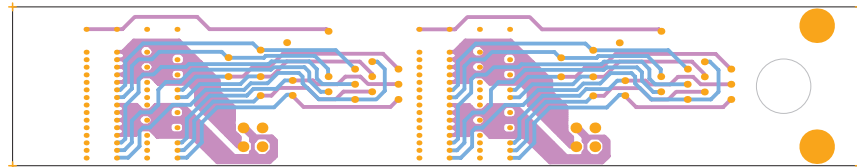
(added rework vias on LM-Tape solder pads)



Top Layer, Negative L252
Top Layer, Positive L001



Bottom Layer, Negative L250
Bottom Layer, Negative L249
Bottom Layer, Positive L005



First Inner, Positive L003
Second Inner, Positive L004

Solder Mask Top L005



Solder Mask Bottom L251

