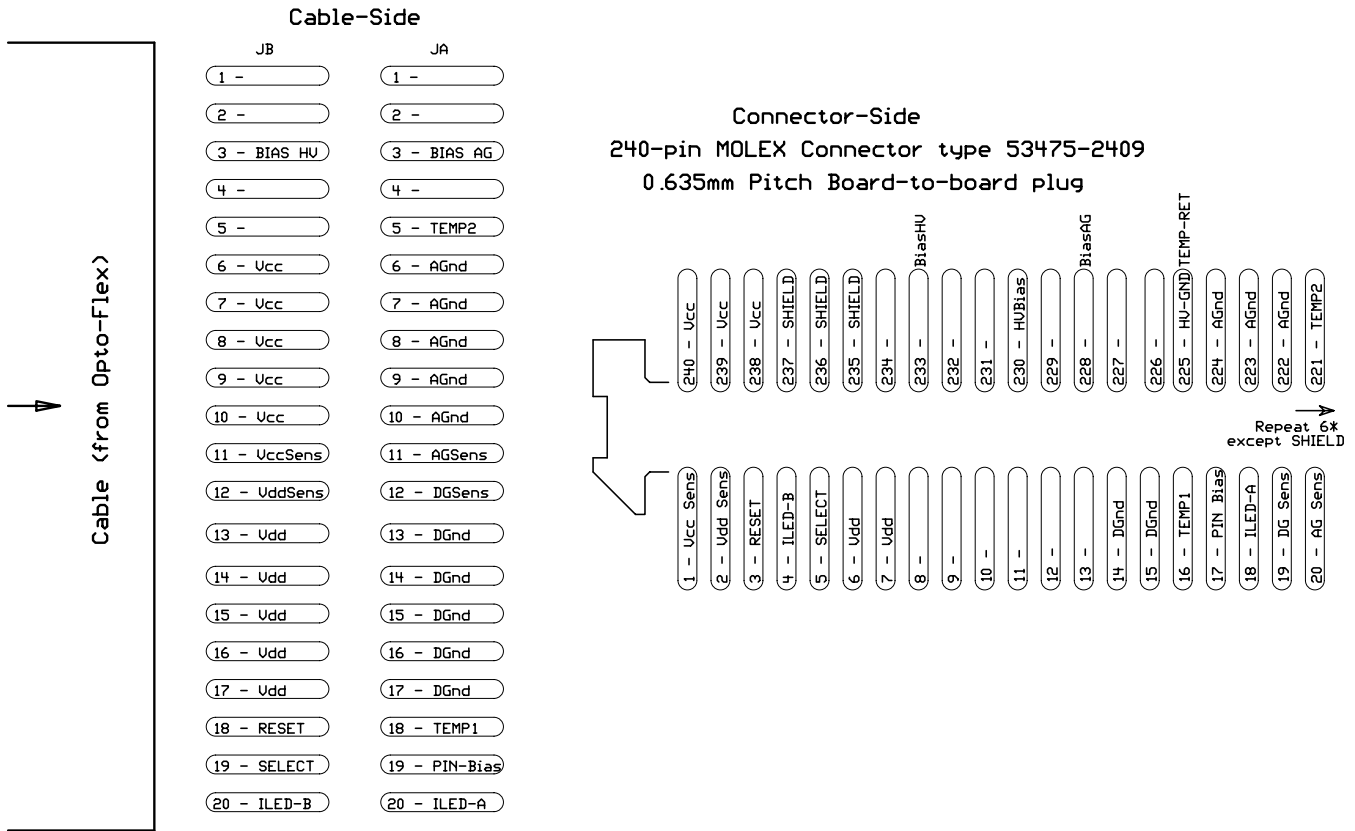


Proposal Jan. 2001

Patch-Panel-1-Narrow PP-1-N



Patch-Panel-1-Wide PP-1-W

