

Patch-Panel 2 - Ver.3cc
 (for conventional cables)
 September 2001

Connector type :
 DBC-25F
 SCEM 09.21.21.90.6

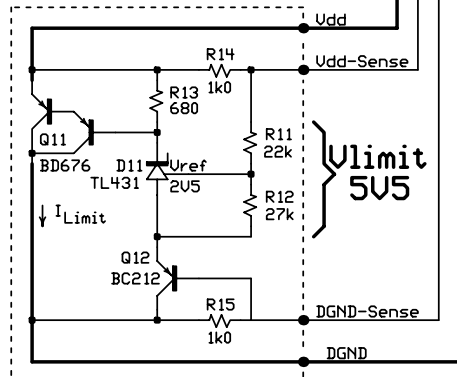
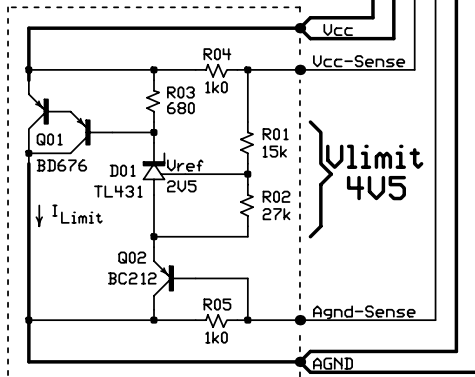
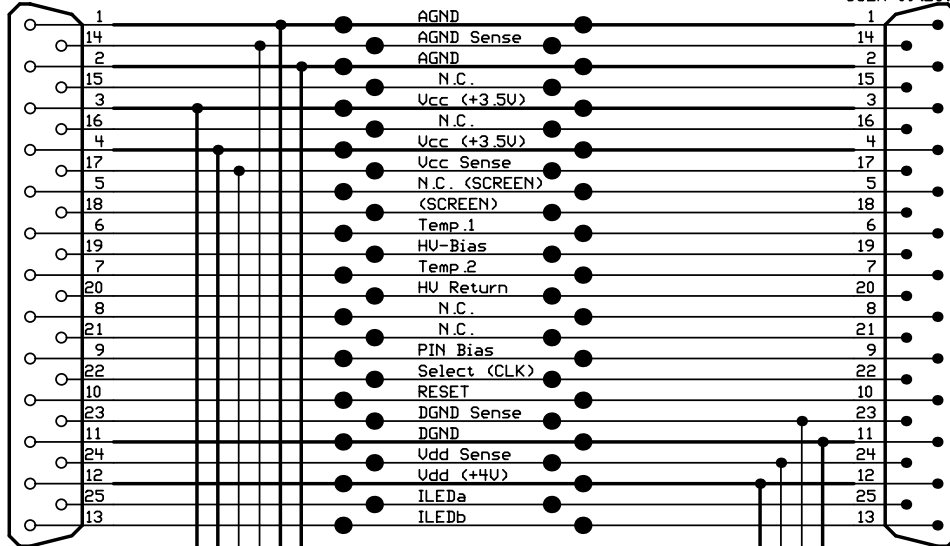
Solder
 Pads

Solder
 Pads

Connector type :
 DBC-25M
 SCEM 09.21.21.90.7 ??

From
 Power
 Supply
 →

To
 PP1 &
 Detect.
 Module
 →



Institut Jožef Stefan

projekt/naloga :	ATLAS Barrel - System Test		
sestavni del :	Patch-Panel-2+L	načrtoval	E. Margan
pripombe :	tolerance uporov	1 %	datum
	N.C. = Not Connected		2001.09.09
			list
			1/1
		koda	F959-U3-X1