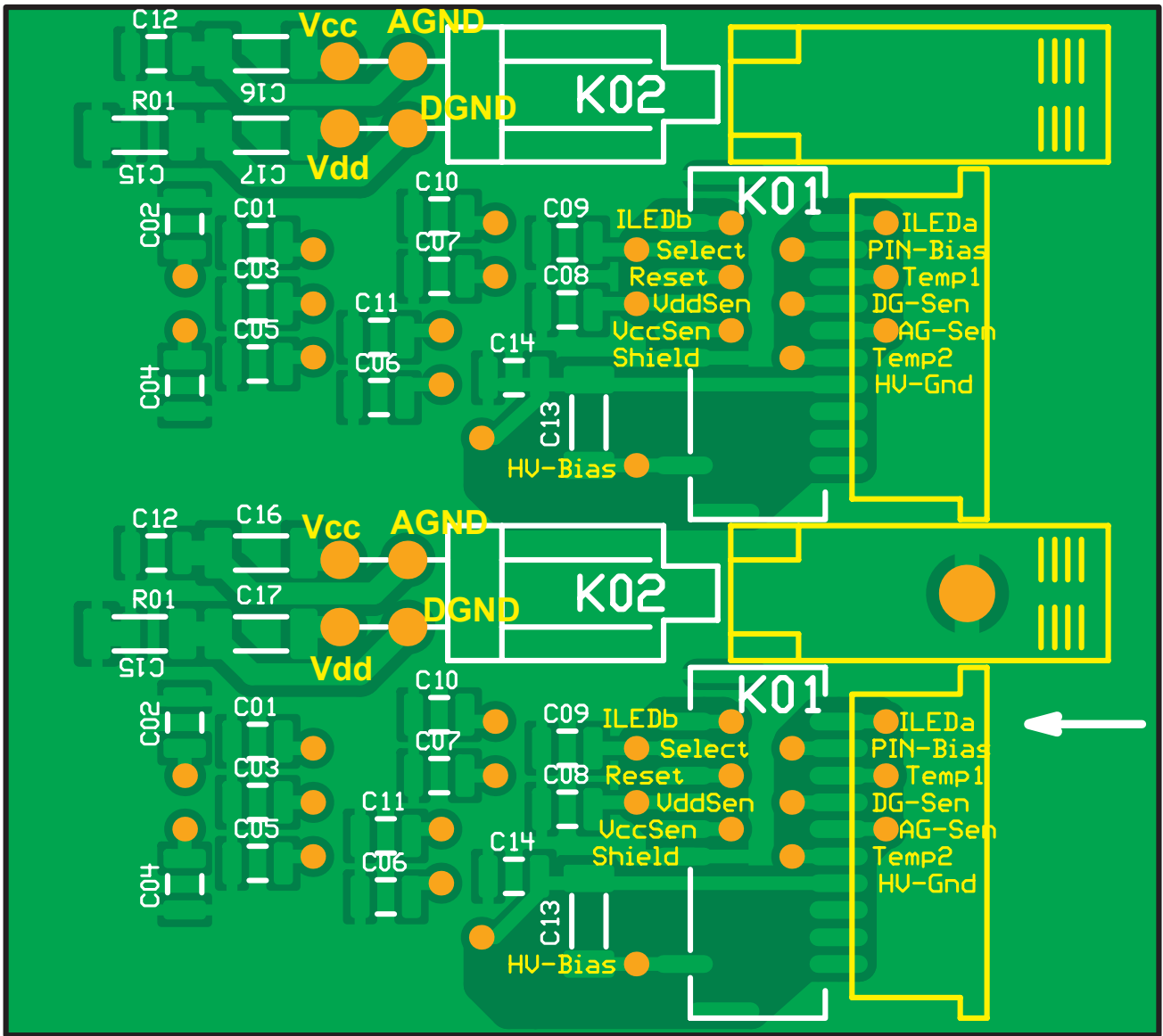


Patch-Panel 1, Barrel, Ver.6z, PCB component layout and connector pin assignment



K02 : FCI 76383-302

View : Connector entry side

K01 : JST SM20B-SRDS-G-TF

19	17	15	13	11	9	7	5	3	1
HV-Bias				Shield	VccSen	VddSen	Reset	Select	ILEDb
20	18	16	14	12	10	8	6	4	2
			HV-GND	Temp2	AG-Sen	DG-Sen	Temp1	PIN-Bias	ILEDa

3	1
Vdd	Vcc
4	2
DGND	AGND

Connector Pin Assignment



Design by RXon



Institut
Jozef Stefan
Ljubljana