

Fig.1: This is how it should have been

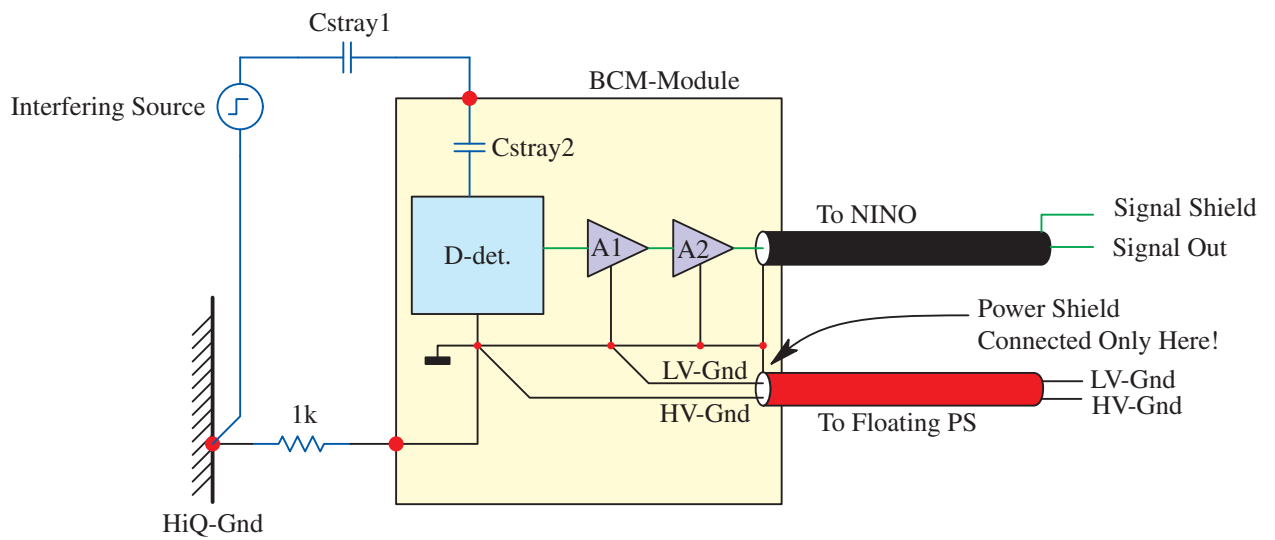


Fig.2: This is how it actually is and why it is questionable

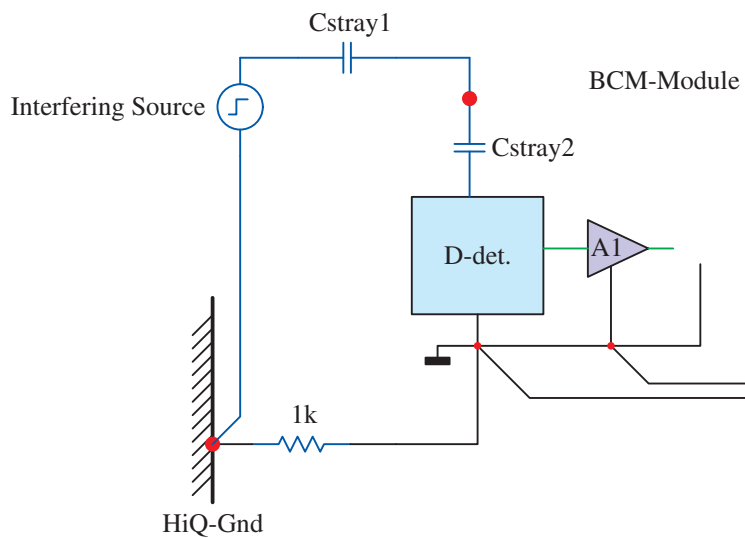


Fig.3: Equivalent schematic of Fig.2.