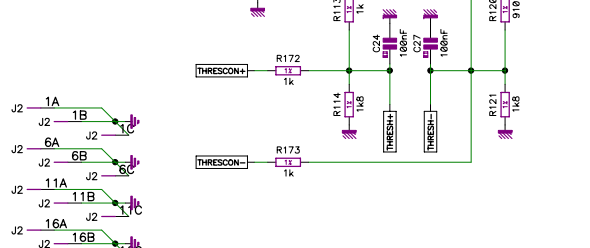
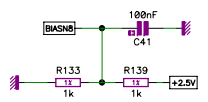


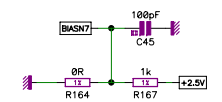
Threshold control circuit



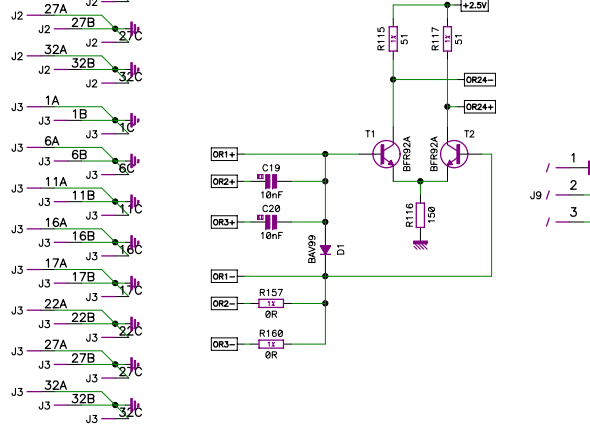
Stretch time control



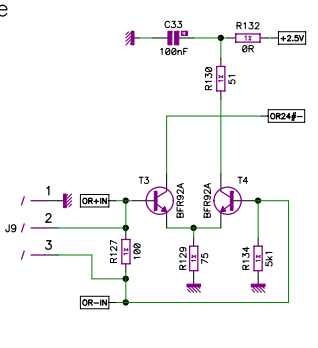
Hysteresis control



3-NINOASIC's OR summing stage



LVDS receiver



OR48 LVDS driver

