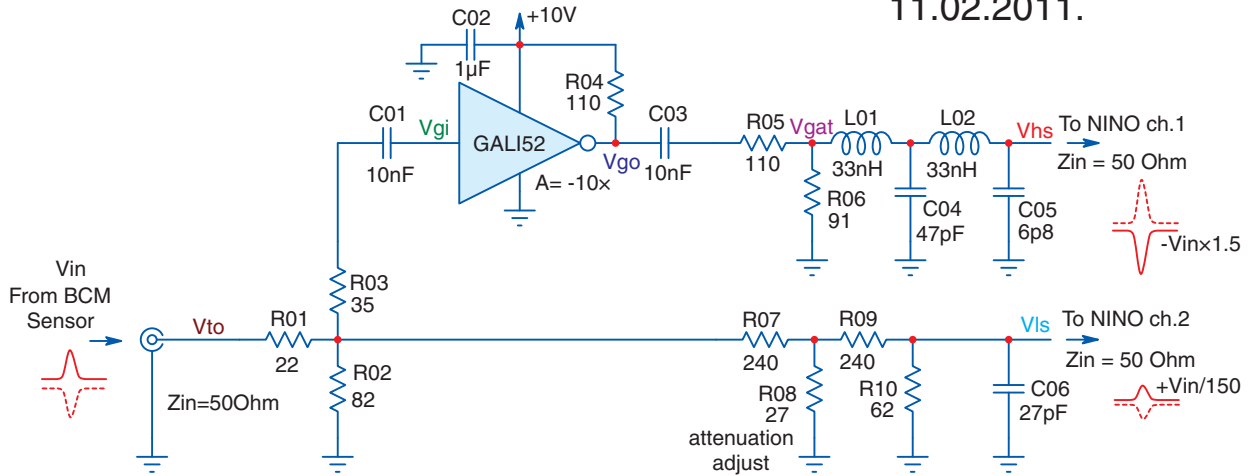
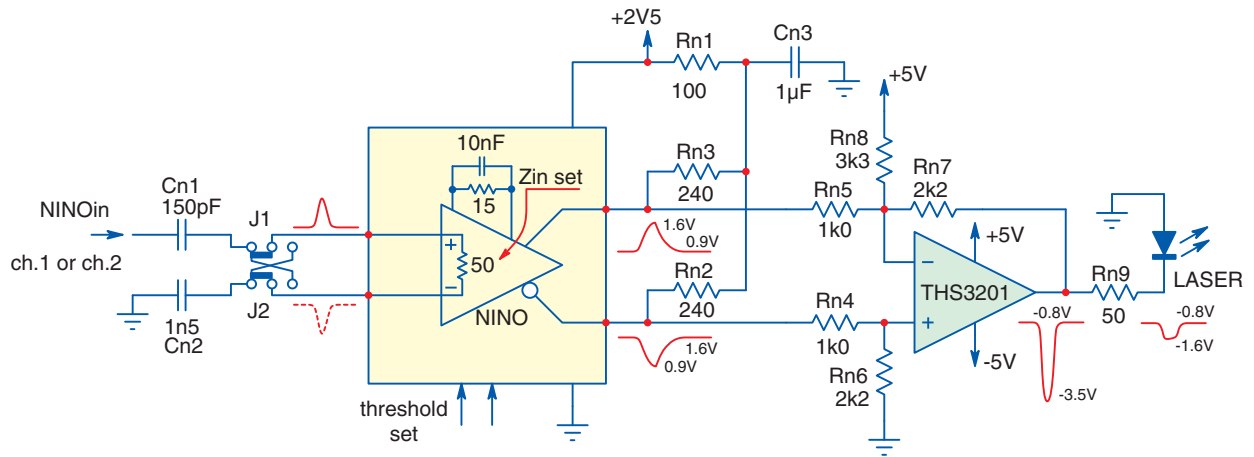


ATLAS BCM NINO-Box: Input Gain & Attenuation Stage

11.02.2011.



NINO & LASER Driver Stage



Input Circuit Simulation

