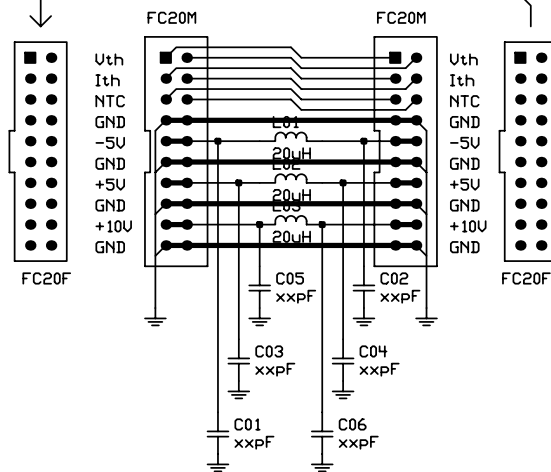
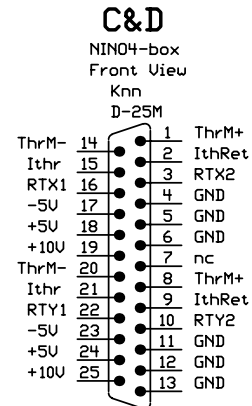
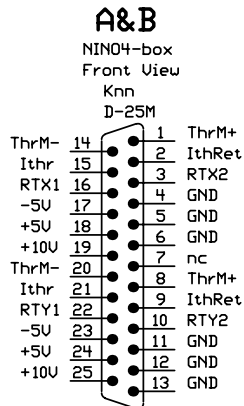
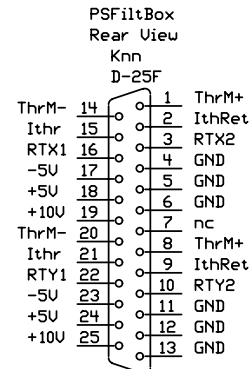
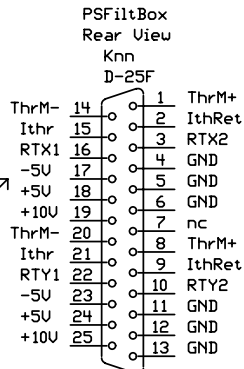


PSFiltBox  
Rear View (inside box)

- 1 - A +10V
- 2 - A GND
- 3 - A +5V
- 4 - A -5V
- 5 - A GND
- 6 - A RTA1
- 7 - A RTA2
- 8 - B +10V
- 9 - B GND
- 10 - B +5V
- 11 - B -5V
- 12 - B GND
- 13 - B RTB1
- 14 - B RTB2
- 15 - C +10V
- 16 - C GND
- 17 - C +5V
- 18 - C -5V
- 19 - C GND
- 20 - C RTC1
- 21 - C RTC2
- 22 - D +10V
- 23 - D GND
- 24 - D +5V
- 25 - D -5V
- 26 - D GND
- 27 - D RTD1
- 28 - D RTD2



<b>Institut Jožef Stefan</b>			
projekt/naloga :	<b>BCM NINO PS Filters</b>		
sestavni del :	<b>Connector Defs</b>		načrtoval E. Margan
pripombe :		datum	2006.11.20.
		list	1/1
		koda	F9xx-Un-Xn