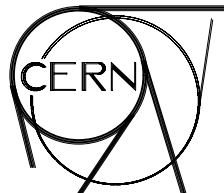
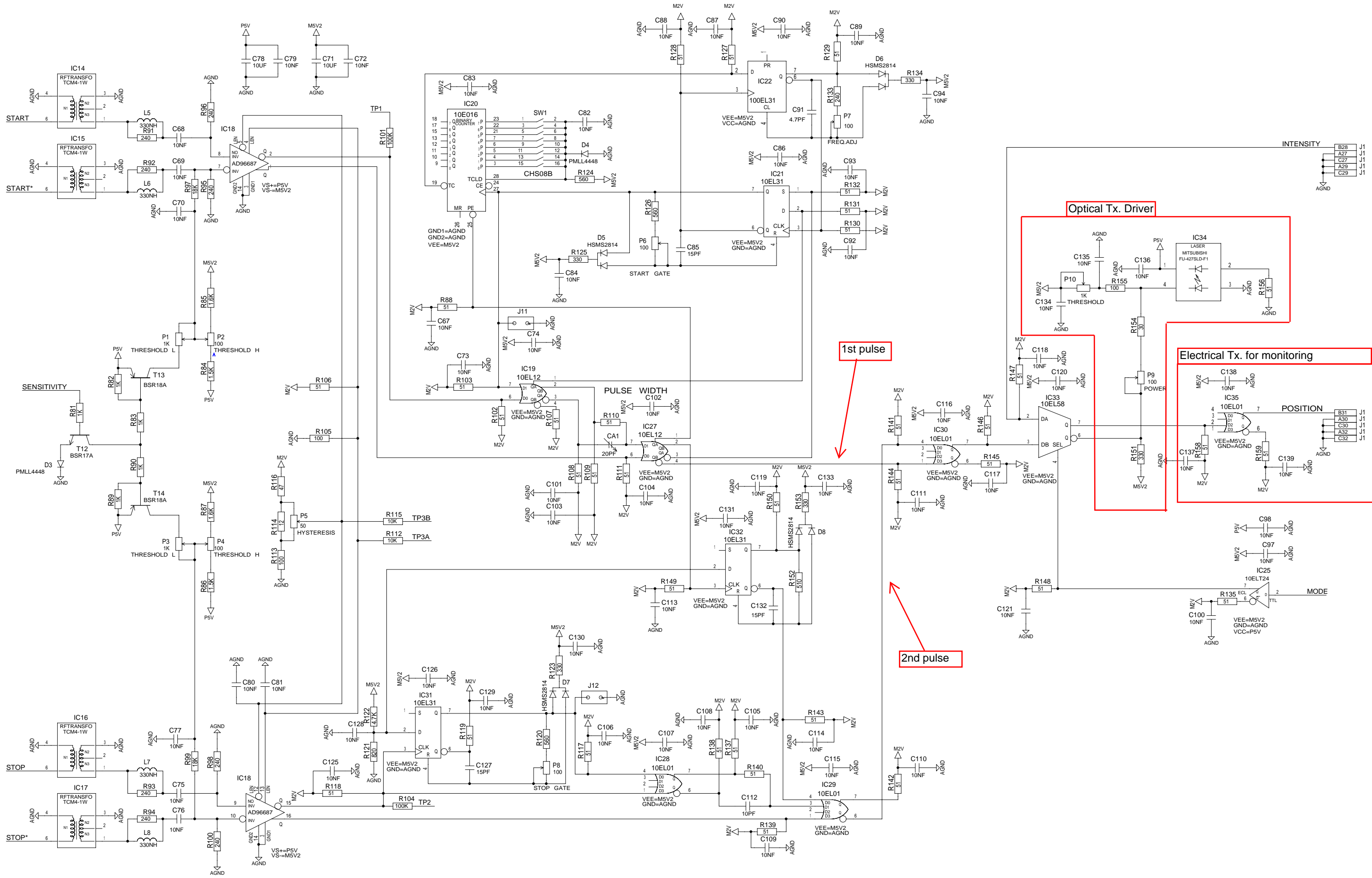


DRAWING

EDMS REF: 306434	VERSION: 5	PCB: SL 680-7065-150-H	SYSTEM: CADENCE 97A
REF: SL 680-7065-150-H_INV		TITLE: NORMALISEUR	
 IT/CE	DIV. SL/BI	PAGE: 1/3	
	1211 GENEVA 23	LAST_MODIFIED=Wed Jul 06 09:30:47 2005	
	SWITZERLAND	DESSIN: S.TRINDEL PV	ETUDE: COCQ
		DATE:	



1st pulse

2nd pulse

Optical Tx. Driver

Electrical Tx. for monitoring

REF: SL 680-7065-150-H_INV



DIV. SL/BI
1211 GENEVA 23
SWITZERLAND

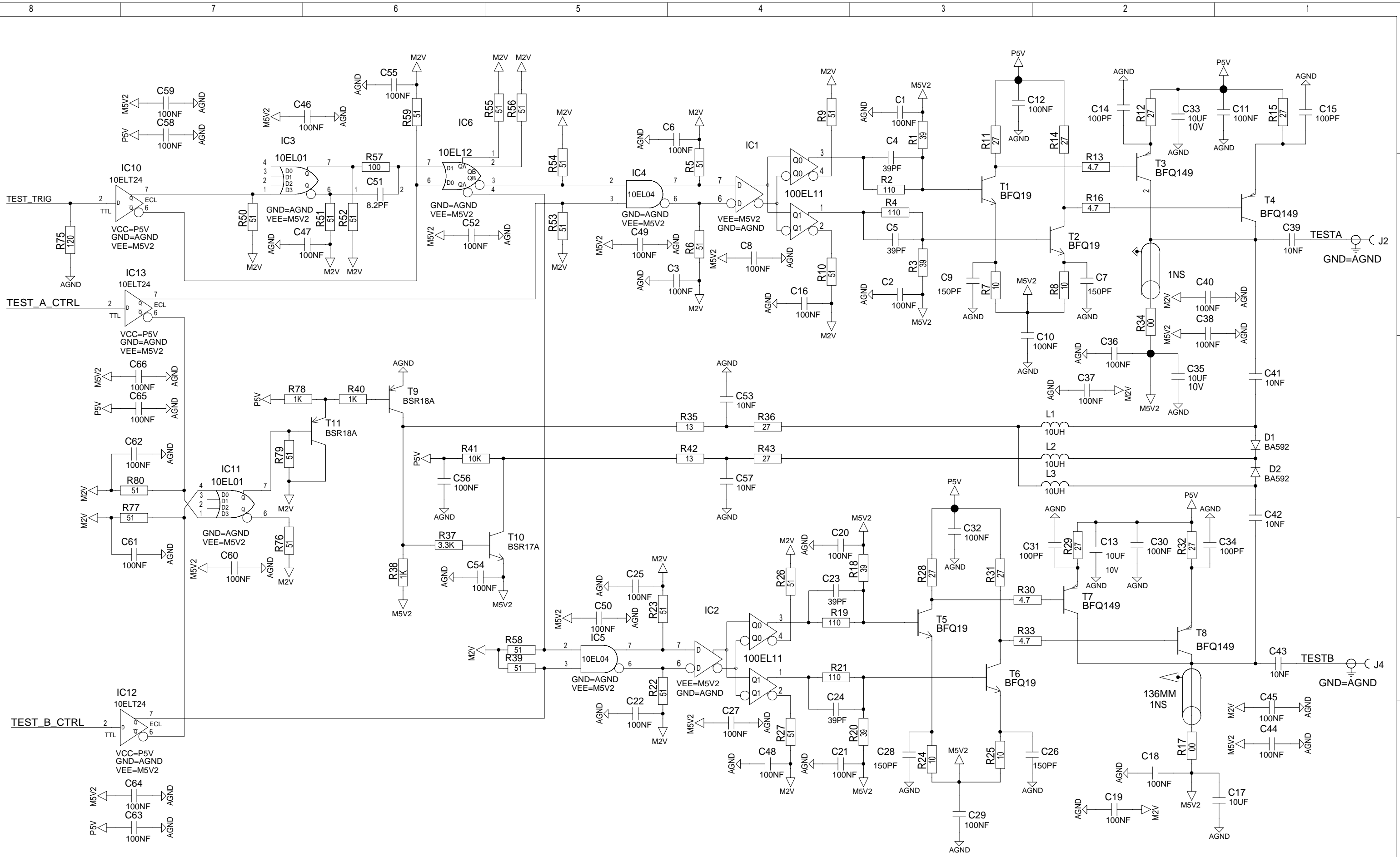
TITLE: COMPARATEURS

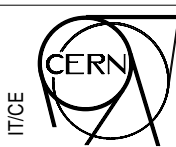
ABBREV: PAGE: 2/3

LAST_MODIFIED=Wed Jul 06 09:31:03 2005

DESSIN: S.TRINDEL PV ETUDE: COCQ DATE:

DRAWING



EDMS REF: 306434	VERSION: 5	PCB: SL 680-7065-150-H	SYSTEM: CADENCE 97A
REF: SL 680-7065-150-H_INV		TITLE: GENERATEUR DE TEST	
 DIV. SL/BI 1211 GENEVA 23 SWITZERLAND		ABBREVI:	PAGE: 3/3
		LAST_MODIFIED=Wed Jul 06 09:31:18 2005	
DESSIN: S.TRINDEL	PV	ETUDE: COCQ	DATE:

DRAWING

IT/CE