

Silk Screen <Top> L-255
<svitjisoP ,mojtoB> 9-8:500-J L-001:1-P <Top, Positive>

Grounded by mounting screws

DummyPPB1

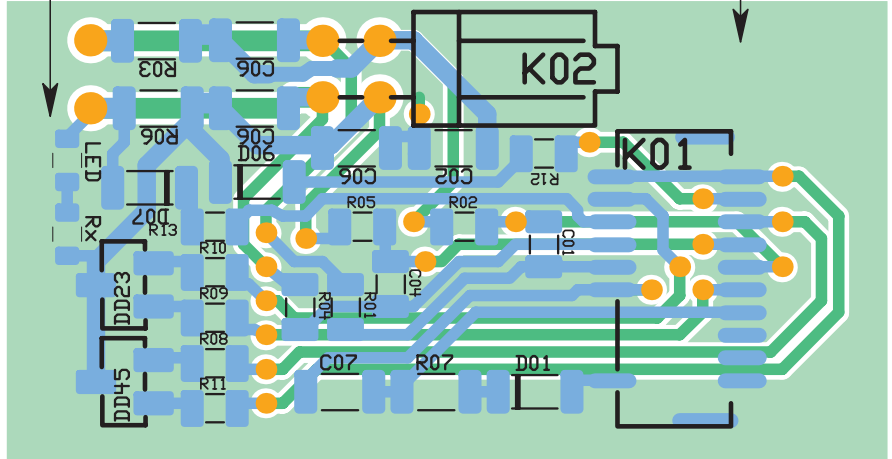
LED+R on Vdd-DGnd

Power Resistors
R03 & R06 size 1206

M=1:1

M=3:1

Common Ground



DummyPPB1 board area is reduced in respect to the original PPB1 size.