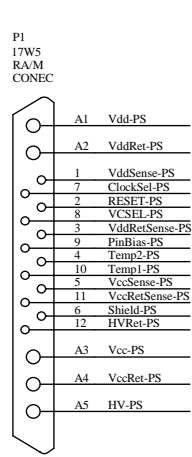
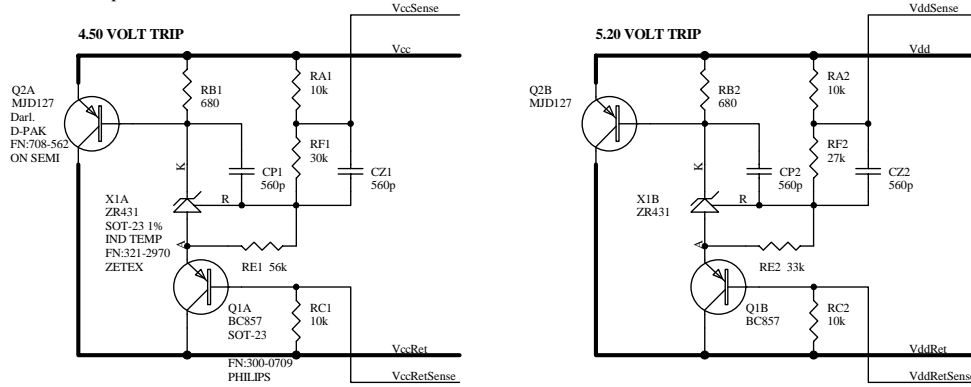
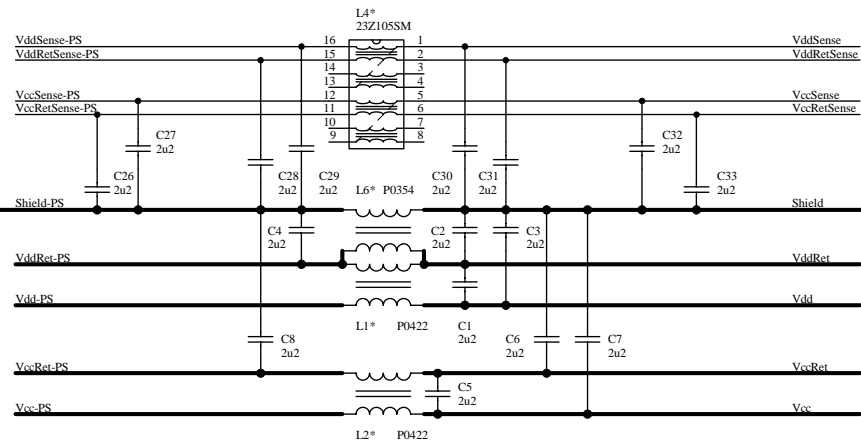
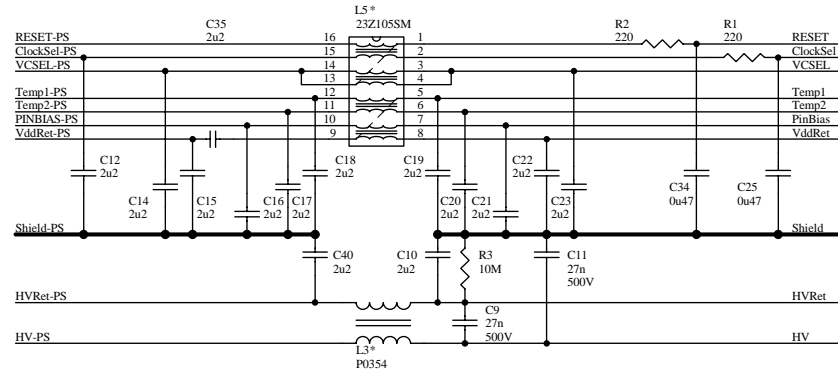


*Semiconductors are SMD.
All caps & resistors are 1206 SMD.



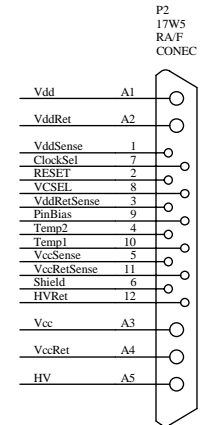
SHIELD-PS PLANE CONNECTED TO BODY OF CONNECTOR



MAGNETIC-SHIELD

SUPPLIED OPEN

SUPPLIED CLOSED



SHIELD PLANE CONNECTED TO BODY OF CONNECTOR

→ Module

* ALL CHOKES FROM PULSE ENGINEERING.
ALL CAPS ARE 16V 1206 SMD X7R DIELECTRIC EXCEPT C9 & C11 WHICH ARE RATED TO 500V.
ALL COMPONENTS ARE SMD. (EXCEPT COMBO CONNECTOR)

MAGNETIC-SHIELD is well insulated from external contact.
4 layer PCB; material thickness is 2.4mm
- double weight copper
- split power plane for shield/shield-ps

| | | | |
|--|---------------------------------|------------------------------|-------------|
| Title | | | |
| PP3 FILTER + LIMITER BOARD + 2 x 17W5 CONNECTOR | | | |
| Size | Number | ALL SMD SEMIS Updated Naming | Revision |
| A3 | | | V3.0 |
| Date: | 20-Feb-2004 | Sheet of | 1 of 1 |
| File: | D:\CLIENT\SCH3\WORK\PP3\PP3COMB | Drawn By: | EPP-UNIMELB |