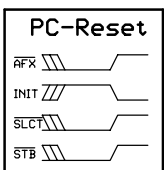
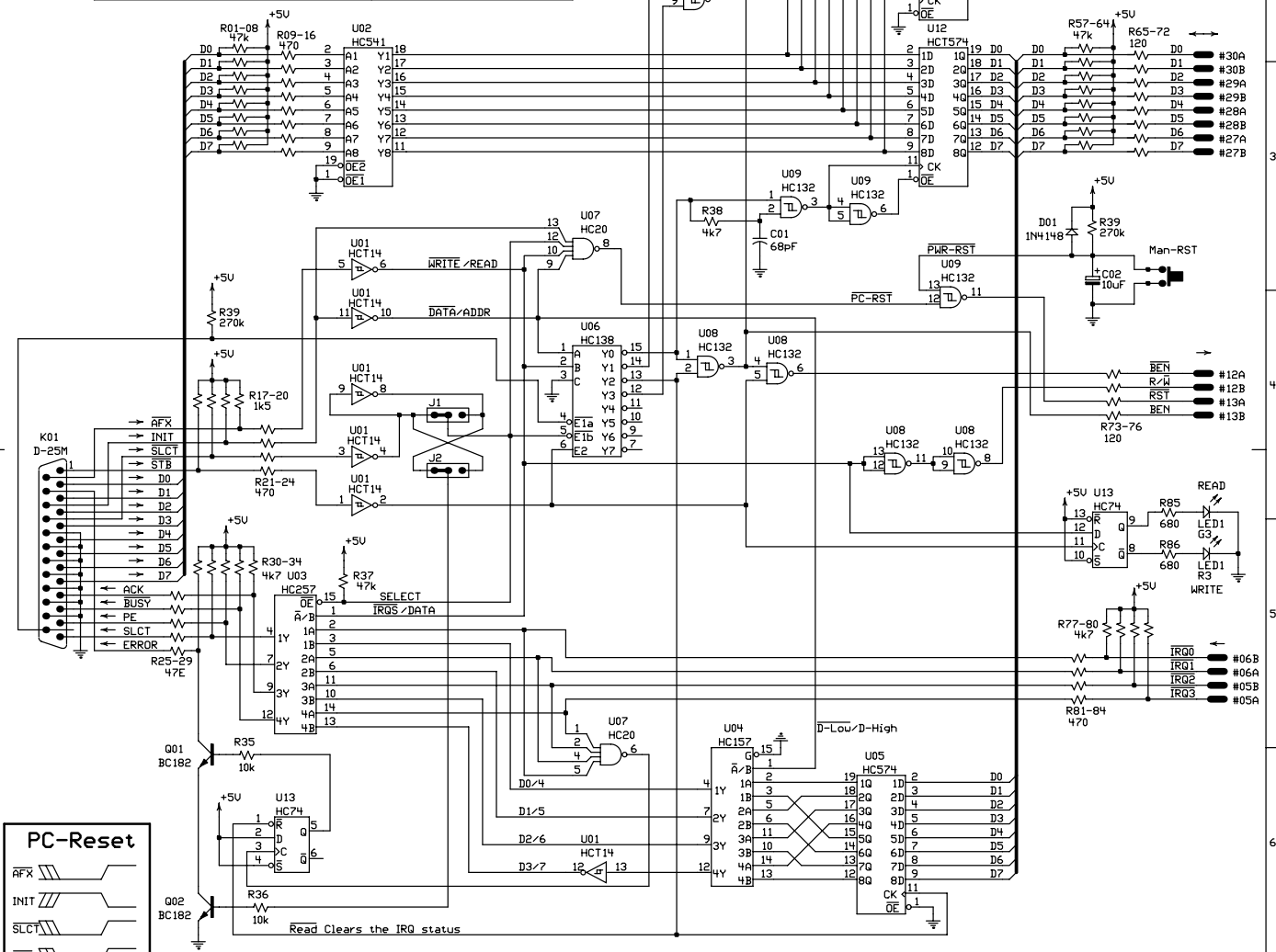


Truth table

Ctrl-Reg Bit	3	2	1	0	
Port mnemonic	SLCT-in	INIT	AutoFdXt	STROBE	Operation
Function	SELECT	ADDR/DATA	W/R	STROBE	
	Prog:Port	Prog:Port	Prog:Port	Prog:Port	
1	0	x	x	x	No operation - disabled
1	0	1	1	0	Reset
0	1	0	1	0	Write addr into A register
0	1	1	1	0	Write data to D register
0	1	0	1	0	Read D data, high-nibble
0	1	1	1	0	Read D data, low-nibble
0	1	0	0	1	Write addr into A register
0	1	1	0	1	Read data to D register
0	1	0	0	1	Read IRQ status
0	1	1	0	1	Read IRQ status

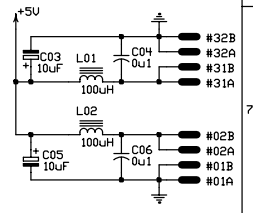
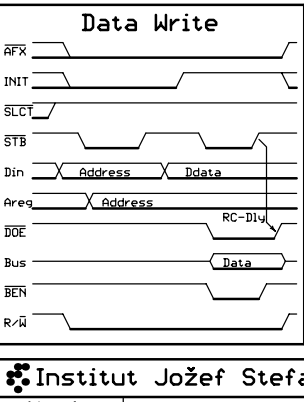
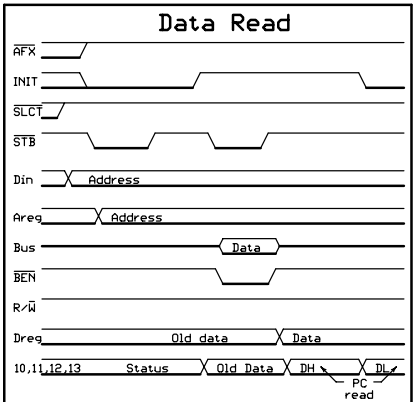


Port	Data-Reg. (base)	Status-Reg.	Control-Reg.
LPT1	0x378	0x379	0x37A
LPT2	0x278	0x279	0x27A
LPT3	0x3BC	0x3BD	0x3BE

NOTE : Some PCs have LPT1 ← LPT3

Bit	Function	pin	inverted
0,1,2	not used	-	-
3	ERROR	15	no
4	SLCT (on-line)	13	no
5	PE (paper out)	12	no
6	ACK (IRQ)	10	no
7	BUSY	11	yes

Bit	Function	pin	inverted
0	STROBE	1	yes
1	AUTO-FD-XT	14	yes
2	INIT	16	no
3	SLCT-in	17	yes
4	IRQ-Enable (IRQ?)	-	-
5,6,7	not used	-	-



**Institut Jožef Stefan, Ljubljana**

projekt/naloga : **Welding Glass Test Set**

sestavni del : **PRN-to-Bus Ifc.** načrtoval E. Margan  
risal E. Margan

pripombe : tolerance uporov 5 % datum 1995.10.19  
tolerance kondenzatorjev 20 % list 1/1  
koda FS90-U1-X1