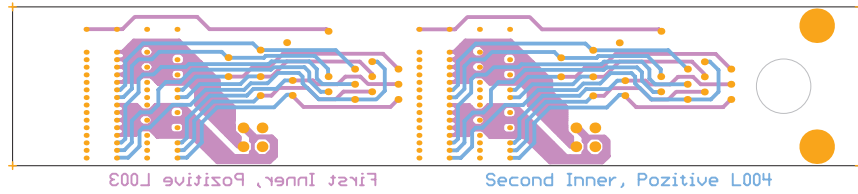
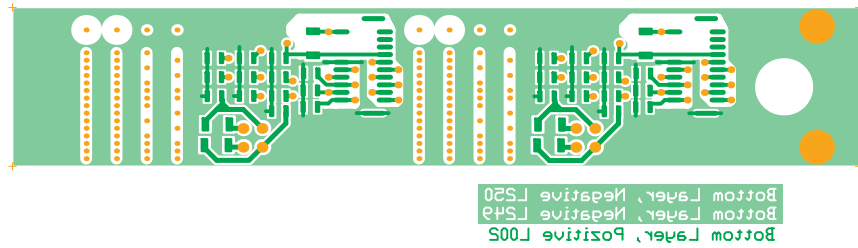
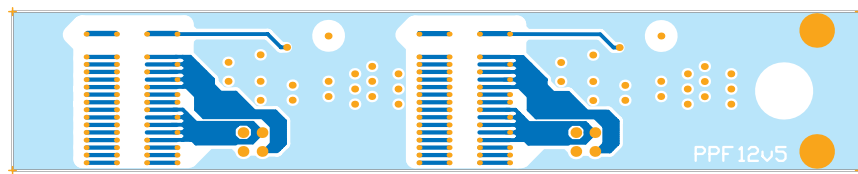
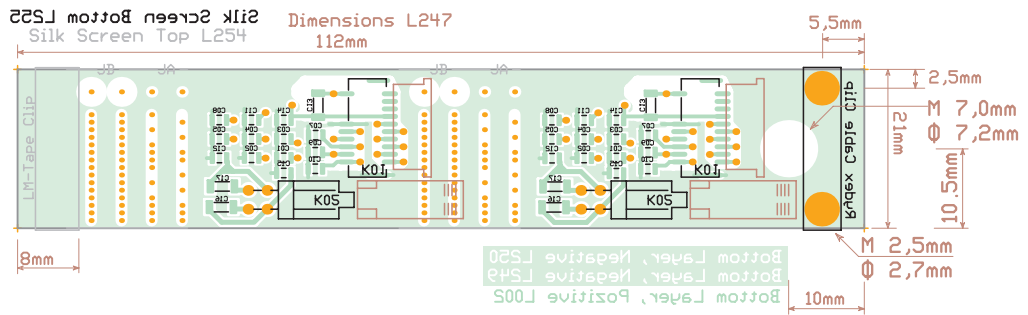


# PPF1-2-v5 (2003.12.22)

(added rework vias on LM-Tape solder pads)



Solder Mask Top L005



Solder Mask Bottom L251

