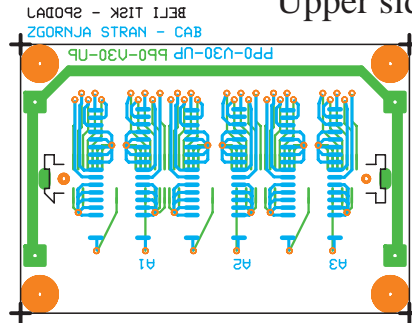


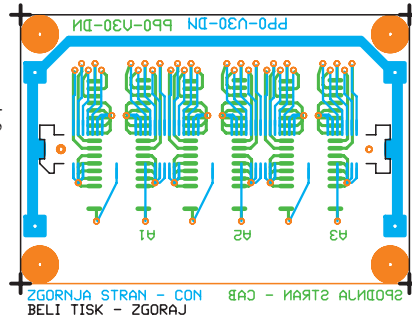
Patch-Panel-0
Ver.3.3

View from above
Upper side



Out-going
Low-Mass-Tape

In-coming
S-Tape



Lower side

erik.margan@ijs.si