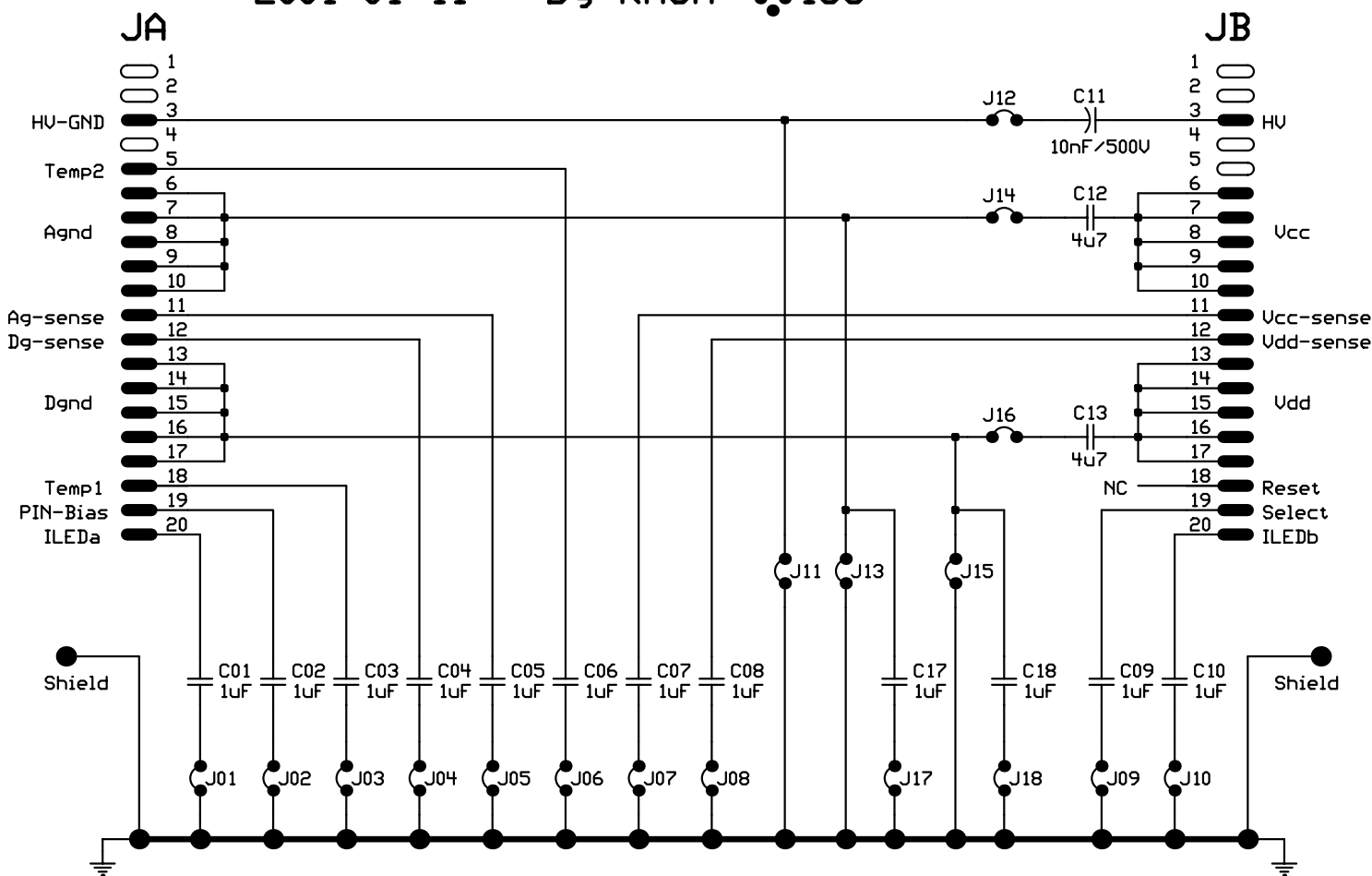


Patch-Panel-1 for system test - Jan.2001

Jumper/Capacitor schematic proposal - final version

2001-01-11 by RXon IJS



Please, e-mail any comments to : erik.margan@ijs.si