

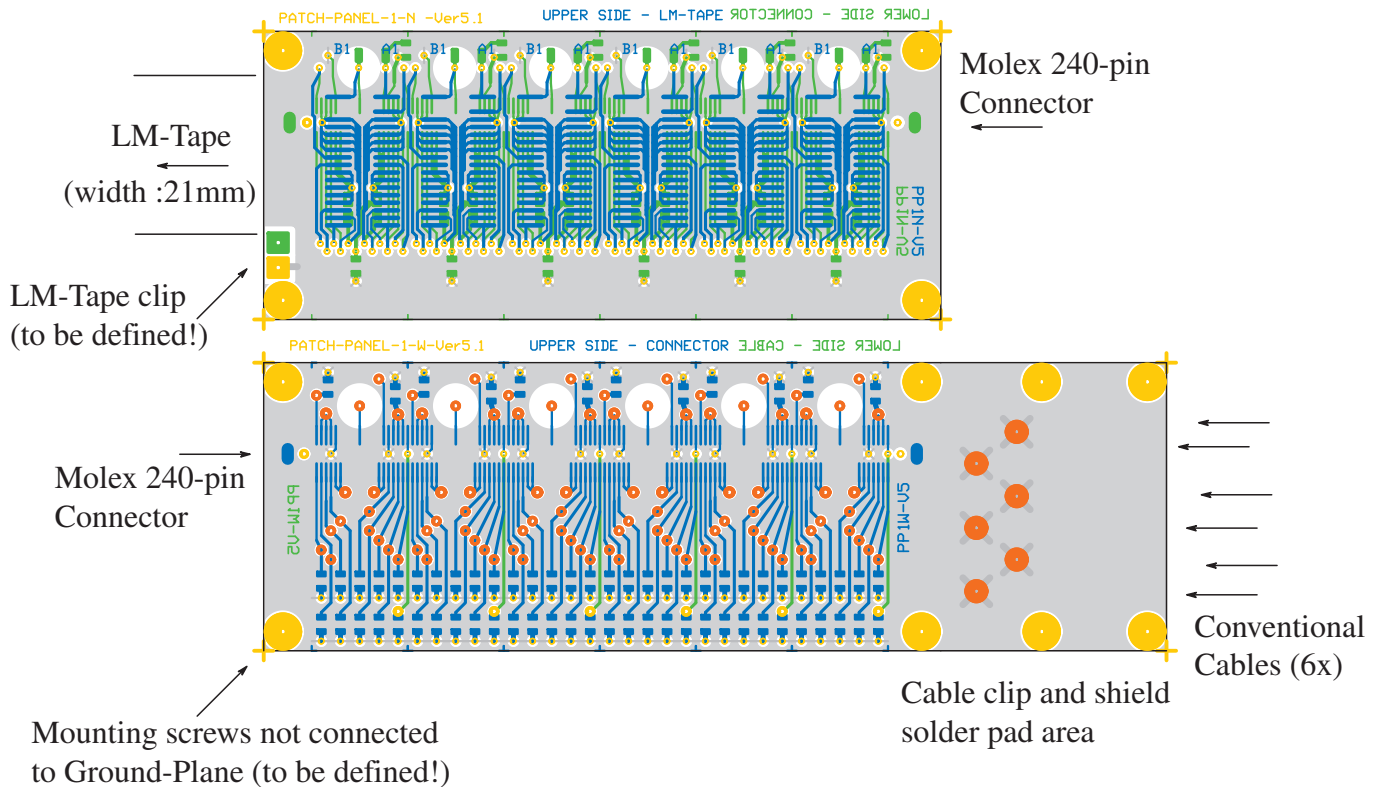
Patch-Panel-1 ver.5.1

(Final ?) Proposal - 2001.11.07.

Erik Margan <erik.margan@ijs.si>

Latest changes :

- 1) LM-Tape pad width request : 3.5mm
- 2) 3-Layer design (mid layer Ground-Plane connected to cable shield)
- 3) High-Voltage pins moved to allow for 2.5mm spacing request
- 4) Ground-Plane board-to-board connection via Molex, 12 contacts total
- 5) Molex 240-pin connector shifted up (not vertically centered as before)



Layers : Blue - Upper, Green - Lower, Gray - Middle(Ground-Plane)
Red - Conventional Cable solder pads

Board width : 38mm (both)
Board length : 90mm (PP1-N)
120mm (PP1-W)

Note :

Due to moved High-Voltage pins, this version is not pin-compatible with any previous version !