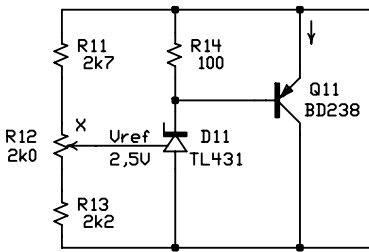
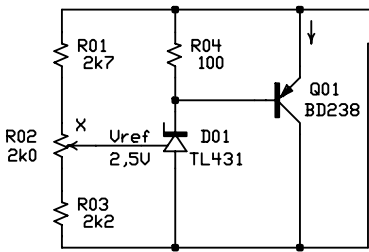


### Supply Limiters

$$U_{lim} = U_{ref} * \left( 1 + \frac{R1 + X * R2}{R3 + (1 - X) * R2} \right)$$

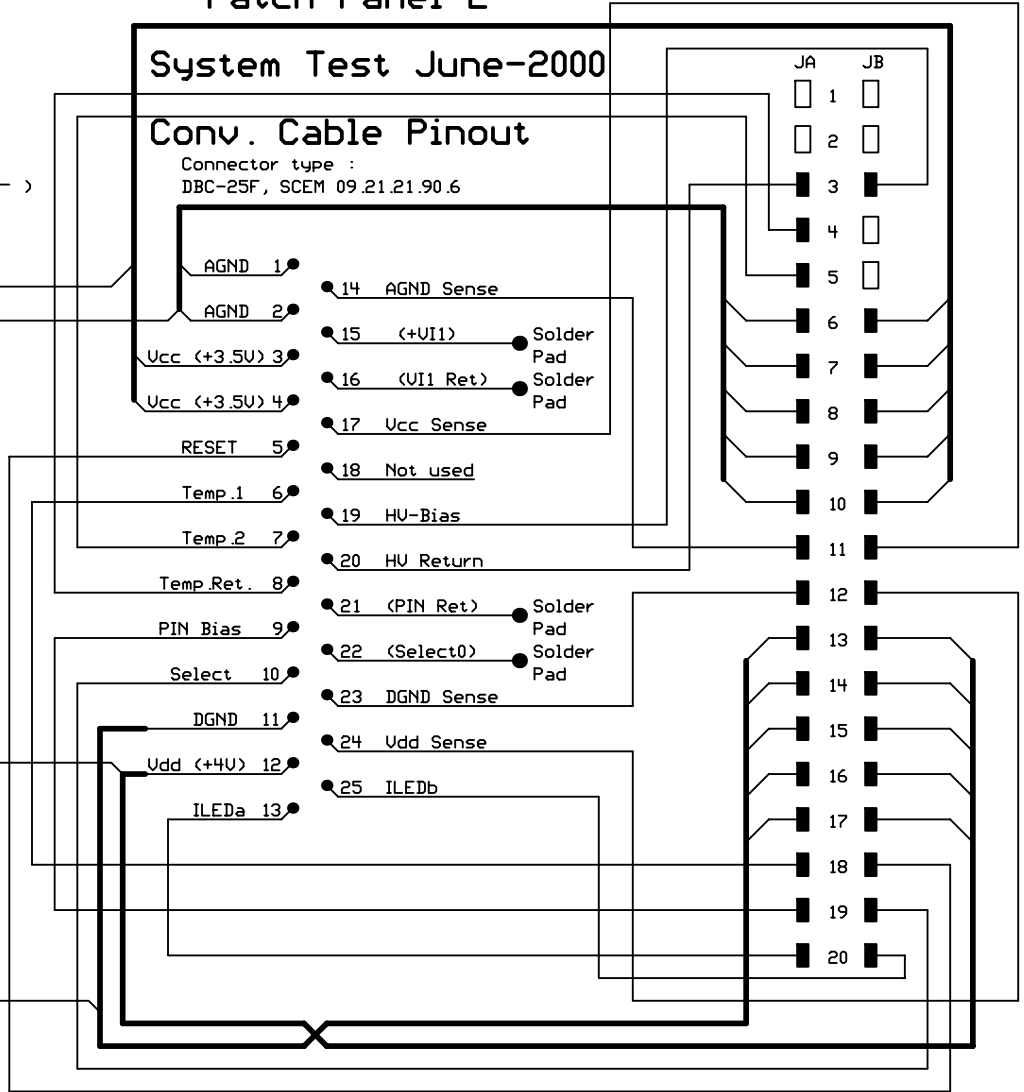


### Patch-Panel 2

#### System Test June-2000

#### Conv. Cable Pinout

Connector type :  
DBC-25F, SCEM 09.21.21.90.6



JA JB

1 1

2 2

3 3

4 4

5 5

6 6

7 7

8 8

9 9

10 10

11 11

12 12

13 13

14 14

15 15

16 16

17 17

18 18

19 19

20 20

AGND 1

AGND 2

Ucc (+3.5V) 3

Ucc (+3.5V) 4

RESET 5

Temp.1 6

Temp.2 7

Temp.Ret. 8

PIN Bias 9

Select 10

DGND 11

Udd (+4V) 12

ILEDa 13

14 AGND Sense

15 (+U11) Solder Pad

16 (U11 Ret) Solder Pad

17 Ucc Sense

18 Not used

19 HV-Bias

20 HV Return

21 (PIN Ret) Solder Pad

22 (Select0) Solder Pad

23 DGND Sense

24 Udd Sense

25 ILEDb