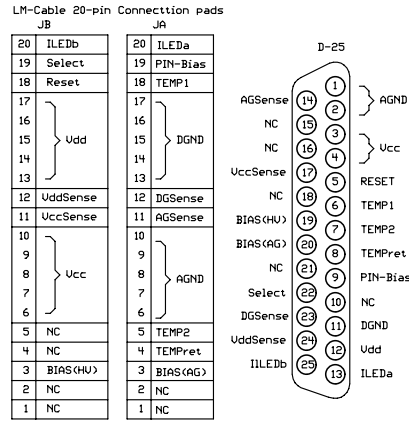


Pin Connection



Patch-Panel-2 Forward System test June-2000

