

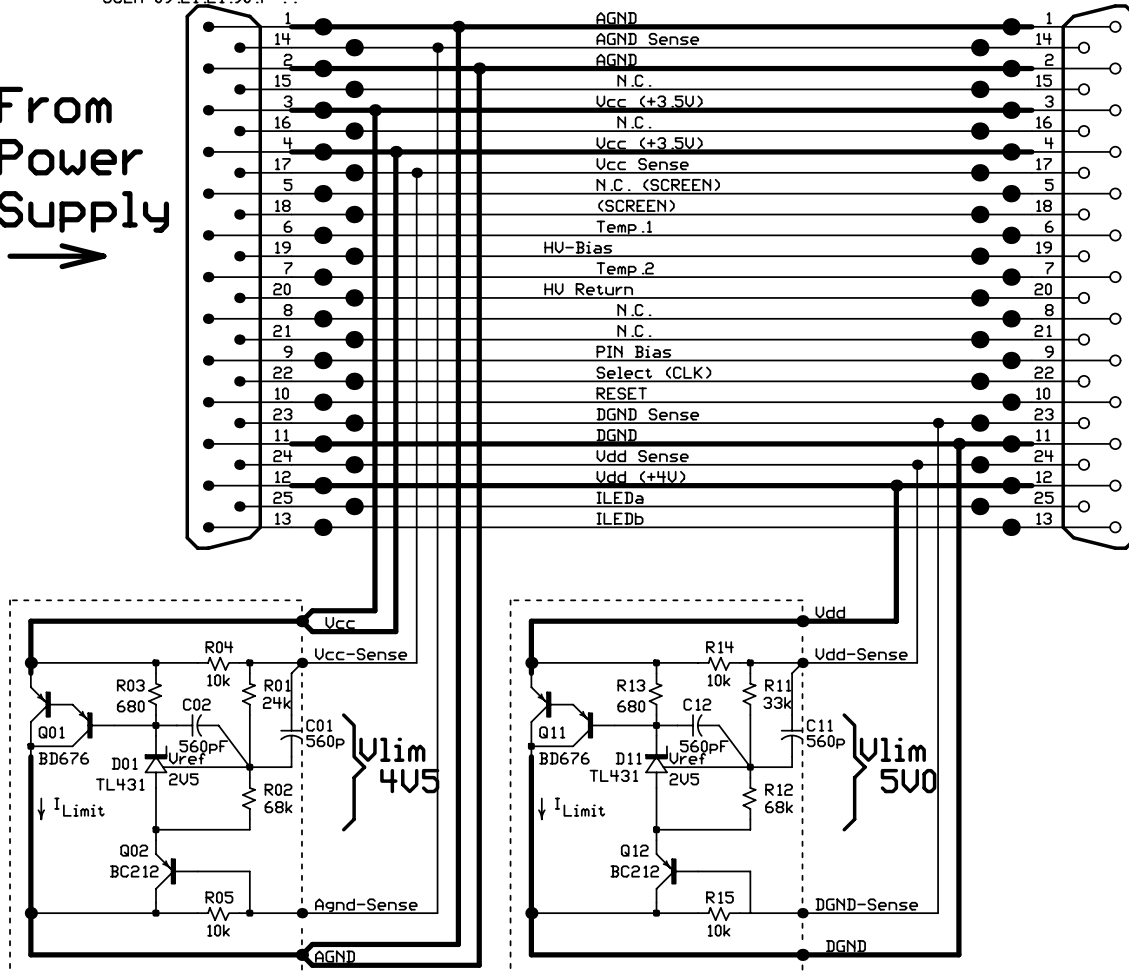
Patch-Panel 2 - Ver.3cc
 (for conventional cables)
 September 2001

Connector type :
 DBC-25M
 SCEM 09.21.21.90.7 ??

Connector type :
 DBC-25F
 SCEM 09.21.21.90.6

From
 Power
 Supply
 →

To
 PP1 &
 Detect.
 Module
 →



Institut Jožef Stefan

| | | | |
|------------------|----------------------------|-----------|-------------|
| projekt/naloga : | ATLAS Barrel - System Test | | |
| sestavni del : | Patch-Panel-2+L | načrtoval | E. Margan |
| pripombe : | tolerance uporov | 1 % | datum |
| | N.C. = Not Connected | | 2001.10.16. |
| | | | list |
| | | | 1/1 |
| | | | koda |
| | | | F959-U3-X1 |