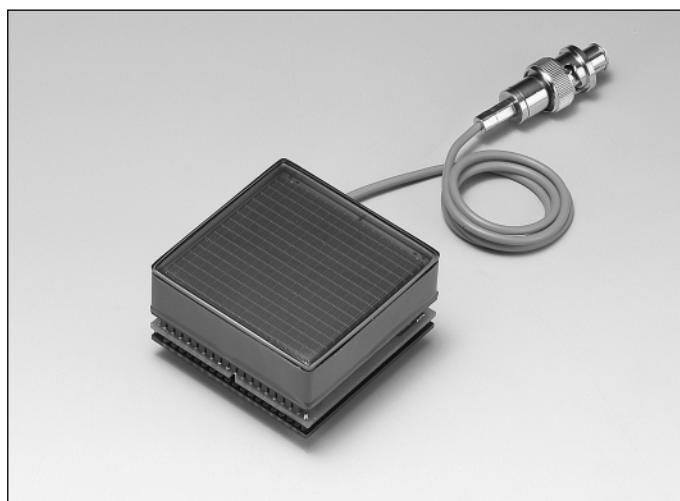


**52 mm Square, Bialkali Photocathode, 12-stage, Head-on Type  
8 × 8 Multianode, Small Dead Space, Fast Time Response**

### APPLICATIONS

- Ring Image Cherenkov Counter
- Compact Gamma Camera
- Scinti-mammography
- 2D Radiation Monitor



### SPECIFICATIONS

#### GENERAL

Parameter		Description	Unit
Spectral Response		300 to 650	nm
Peak Wavelength		420	nm
Photocathode Material		Bialkali	—
Window	Material	Borosilicate glass	—
	Thickness	2.0	mm
Dynode	Structure	Metal channel Dynode	—
	Number of Stage	12	—
Number of Anode Pixels		64 (8 × 8 matrix)	—
Pixel Size / Pitch		5.8 × 5.8 / 6.08	mm
Effective Area		49 × 49	mm
Dimensional Outline (W × H × D)		52 × 52 × 28	mm
Packing Density (Effective Area / External Size)		89	%
Weight		140	g
Operating Ambient Temperature		0 to +50	°C
Storage Temperature		-15 to +50	°C

#### MAXIMUM RATINGS (Absolute Maximum Values)

Parameter	Value	Unit
Supply Voltage (Between Anode to Cathode)	-1100	V
Average Anode Output Current in Total	100	μA

# PHOTOMULTIPLIER TUBE ASSEMBLY H8500

## CHARACTERISTICS (at 25 °C)

Parameter		Min.	Typ.	Max.	Unit
Cathode Sensitivity	Luminous <sup>A</sup>	40	55	—	μA/lm
	Blue Sensitivity Index (CS 5-58) <sup>B</sup>	5.5	7.5	—	—
	Quantum Efficiency at 420 nm	—	19	—	%
Anode Sensitivity	Luminous <sup>C</sup>	—	55	—	A/lm
Gain <sup>C</sup>		1 × 10 <sup>5</sup>	1 × 10 <sup>6</sup>	—	—
Anode Dark Current per Channel <sup>D</sup>		—	0.5	—	nA
Anode Dark Current with All Channels <sup>D</sup>		—	32	100	nA
Time Response <sup>E</sup>	Rise Time <sup>F</sup>	—	0.8	—	ns
	Transit Time <sup>G</sup>	—	6	—	ns
	Transit Time Spread (FWHM) <sup>H</sup>	—	0.4	—	ns
Pulse Linearity per Channel (±2 % deviation)		—	1	—	mA
Uniformity (Condition Figure 3)		—	1: 3	1: 6	—
Cross-talk (Condition Figure 4)		—	3	—	%

## NOTES

- A: The light source is a tungsten filament lamp operated at a distribution temperature of 2856 K. Supply voltage is 150 volts between the cathode and all other electrodes connected together as anode.
- B: The value is cathode output current when a blue filter(Corning CS 5-58 polished to 1/2 stock thickness) is interposed between the light source and the tube under the same condition as Note A.
- C: Measured with the same light source as Note A and with the anode-to-cathode supply voltage and voltage distribution ratio shown in Table 1 below.
- D: Measured with the same supply voltage and voltage distribution ratio as Note C after 30 minute storage in darkness.
- E: Those are test date when a signal from a central channel of 64 anodes is used, while all photocathode are illuminated by pulsed light source.
- F: The rise time is the time for the output pulse to rise from 10 % to 90 % of the peak amplitude when the whole photocathode is illuminated by a delta function light pulse.
- G: The electron transit time is the interval between the arrival of delta function light pulse at the entrance window of the tube and the time when the anode output reaches the peak amplitude. In measurement, the whole photocathode is illuminated.
- H: Also called transit time jitter. This is the fluctuation in electron transit time between individual pulses in the single photoelectron event, and defined as the FWHM of the frequency distribution of electron transit time.

**Table 1: Voltage Distribution Ratio and Supply Voltage**

Electrodes	K	Dy1	Dy2	Dy3	Dy4	Dy5	Dy6	Dy7	Dy8	Dy9	Dy10	Dy11	Dy12	GR	P
Distribution Ratio	1	1	1	1	1	1	1	1	1	1	1	1	1	0.9	0.1

Supply Voltage: -1000 V, K: Cathode, Dy: Dynode, GR: Guard Ring P: Anode

Figure 1: Typical Spectral Response

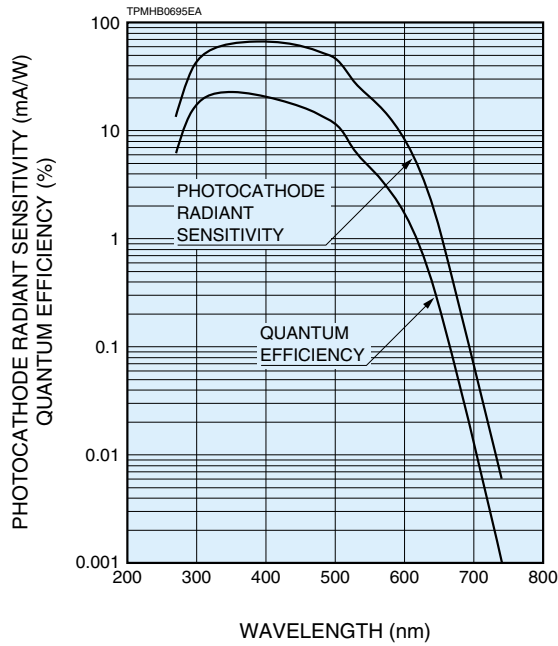


Figure 2: Typical Gain Characteristics

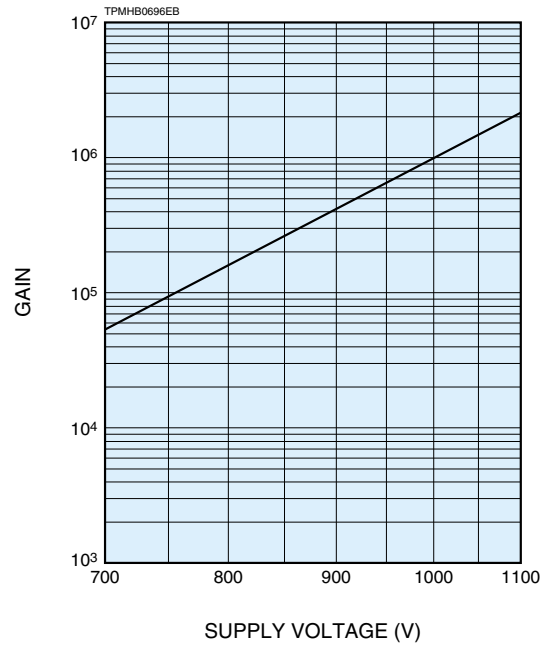


Figure 3: Anode Uniformity (Example)

P1 → P8							
56	58	58	54	53	50	53	44
79	85	77	72	71	70	75	68
83	83	79	73	72	83	91	78
77	76	74	65	73	91	100	85
65	60	59	43	59	86	95	84
61	53	53	47	59	81	92	82
66	59	47	50	62	72	83	78
50	44	36	38	47	53	65	61
← P64							

TOP VIEW

SUPPLY VOLTAGE: 1000 V  
 LIGHT SOURCE: W-LAMP (UNIFORM DC LIGHT)  
 SPOT ILLUMINATION (APERTURE SIZE): 6 mm square on each channel

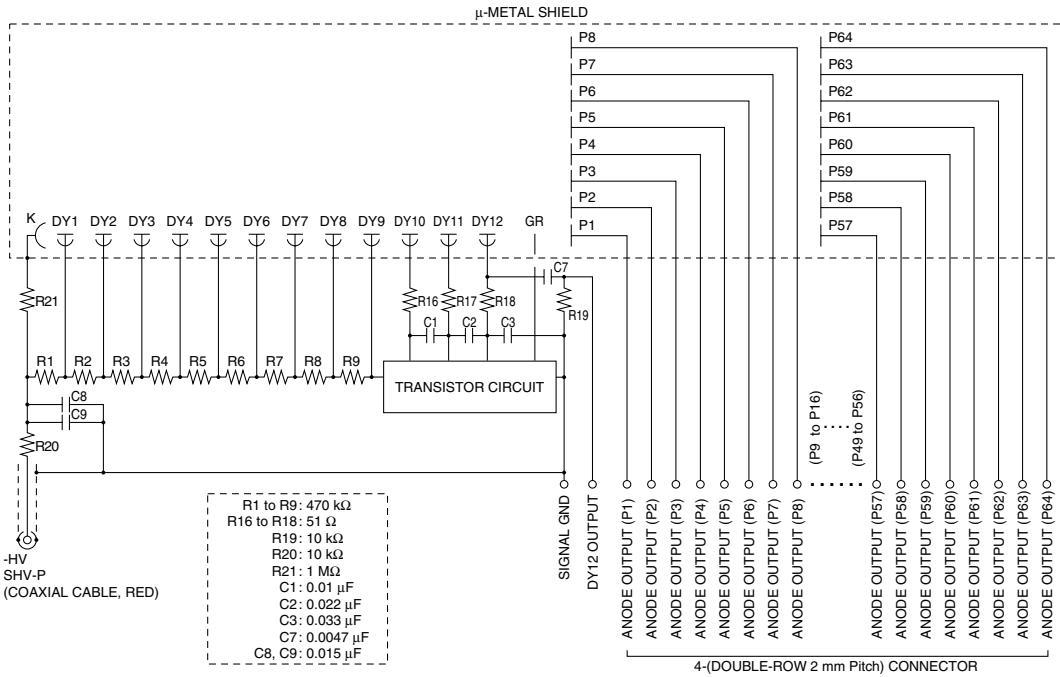
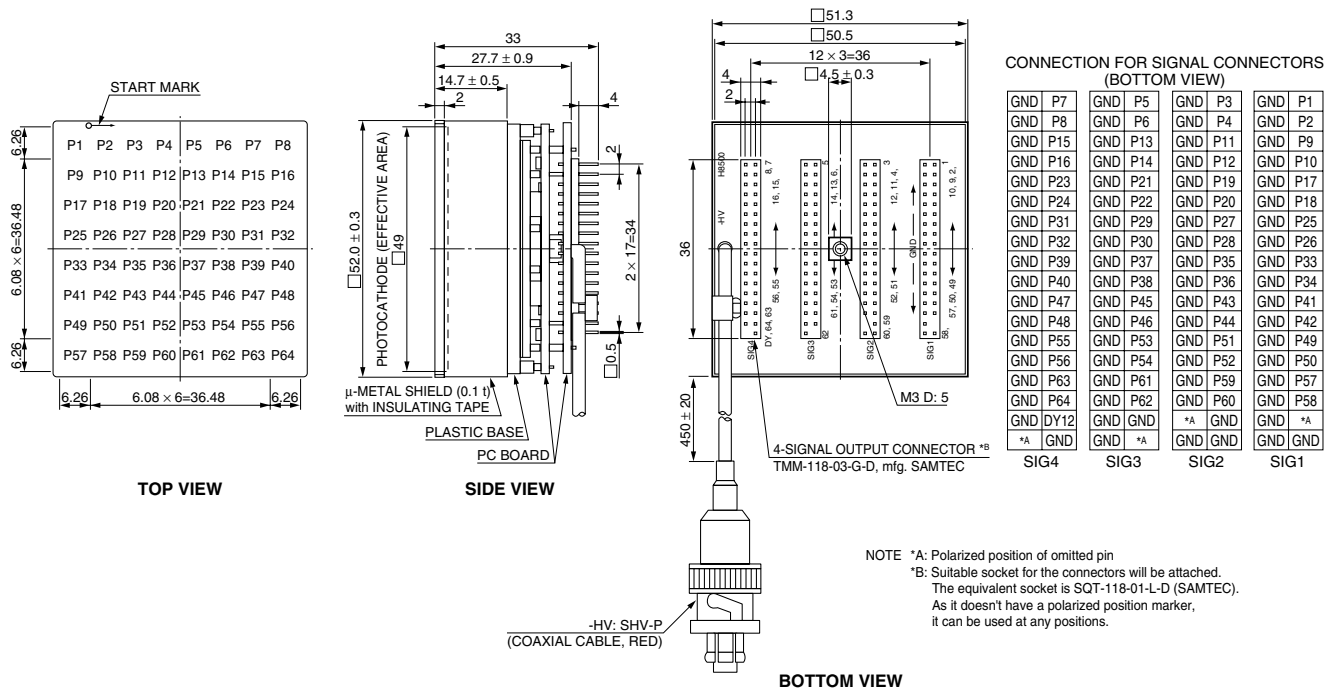
Figure 4: Cross-talk (Example)

-	-	-	-	-
-	0.2	1.8	0.2	-
-	1.5	100	2.7	-
-	0.2	2.6	0.3	-
-	-	-	-	-

SUPPLY VOLTAGE: 1000 V  
 LIGHT SOURCE: W-LAMP (UNIFORM DC LIGHT)  
 SPOT ILLUMINATION (APERTURE SIZE): 5 mm square at center channel

# PHOTOMULTIPLIER TUBE ASSEMBLY H8500

Figure 5: Dimensional Outline (Unit: mm)



TPMHA0498EB

# HAMAMATSU

WEB SITE <http://www.hamamatsu.com>

HAMAMATSU PHOTONICS K.K., Electron Tube Center

314-5, Shimokanzo, Toyooka-village, Iwata-gun, Shizuoka-ken, 438-0193, Japan, Telephone: (81)539/62-5248, Fax: (81)539/62-2205

U.S.A.: Hamamatsu Corporation: 360 Foothill Road, P. O. Box 6910, Bridgewater, N.J. 08807-0910, U.S.A., Telephone: (1)908-231-0960, Fax: (1)908-231-1218 E-mail: [usa@hamamatsu.com](mailto:usa@hamamatsu.com)

Germany: Hamamatsu Photonics Deutschland GmbH: Arzbergerstr. 10, D-82211 Hersching am Ammersee, Germany, Telephone: (49)8152-375-0, Fax: (49)8152-2658 E-mail: [info@hamamatsu.de](mailto:info@hamamatsu.de)

France: Hamamatsu Photonics France S.A.R.L.: 8, Rue du Saule Trapu, Parc du Moulin de Massy, 91882 Massy Cedex, France, Telephone: (33)1 69 53 71 00, Fax: (33)1 69 53 71 10 E-mail: [infos@hamamatsu.fr](mailto:infos@hamamatsu.fr)

United Kingdom: Hamamatsu Photonics UK Limited: 2 Howard Court, 10 Tewin Road Welwyn Garden City Hertfordshire AL7 1BW, United Kingdom, Telephone: 44-(0)1707-294888, Fax: 44(0)1707-325777 E-mail: [info@hamamatsu.co.uk](mailto:info@hamamatsu.co.uk)

North Europe: Hamamatsu Photonics Norden AB: Smidesvägen 12, SE-171-41 SOLNA, Sweden, Telephone: (46)8-509-031-00, Fax: (46)8-509-031-01 E-mail: [info@hamamatsu.se](mailto:info@hamamatsu.se)

Italy: Hamamatsu Photonics Italia: S.R.L.: Strada della Moia, 1/E, 20020 Arese, (Milano), Italy, Telephone: (39)02-935 81 733, Fax: (39)02-935 81 741 E-mail: [info@hamamatsu.it](mailto:info@hamamatsu.it)

TPMH1282E03  
OCT. 2002 IP  
Printed in Japan (500)