

LM139, LM139A, LM239, LM239A, LM339, LM339A, LM2901, LM2901V QUAD DIFFERENTIAL COMPARATORS

SLCS006L – OCTOBER 1979 – REVISED JUNE 2004

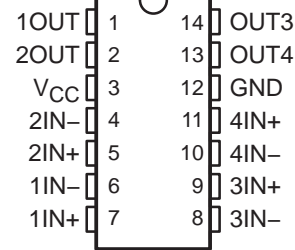
- Single Supply or Dual Supplies
- Wide Range of Supply Voltage:
 - Max Rating . . . 2 V to 36 V
 - Tested to 30 V . . . Non-V Devices
 - Tested to 32 V . . . V-Suffix Devices
- Low Supply-Current Drain Independent of Supply Voltage . . . 0.8 mA Typ
- Low Input Bias Current . . . 25 nA Typ
- Low Input Offset Current . . . 3 nA Typ (LM139)
- Low Input Offset Voltage . . . 2 mV Typ
- Common-Mode Input Voltage Range Includes Ground
- Differential Input Voltage Range Equal to Maximum-Rated Supply Voltage . . . ± 36 V
- Low Output Saturation Voltage
- Output Compatible With TTL, MOS, and CMOS

description/ordering information

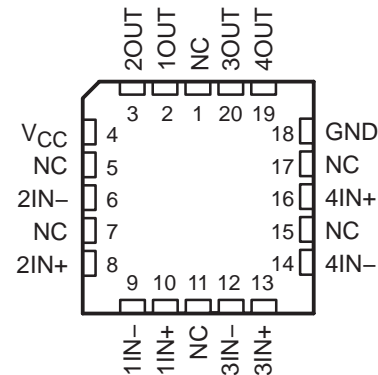
These devices consist of four independent voltage comparators that are designed to operate from a single power supply over a wide range of voltages. Operation from dual supplies also is possible as long as the difference between the two supplies is 2 V to 36 V, and V_{CC} is at least 1.5 V more positive than the input common-mode voltage. Current drain is independent of the supply voltage. The outputs can be connected to other open-collector outputs to achieve wired-AND relationships.

The LM139 and LM139A are characterized for operation over the full military temperature range of -55°C to 125°C . The LM239 and LM239A are characterized for operation from -25°C to 125°C . The LM339 and LM339A are characterized for operation from 0°C to 70°C . The LM2901 is characterized for operation from -40°C to 125°C .

LM139, LM139A . . . D, J, OR W PACKAGE
LM239 . . . D, N, OR PW PACKAGE
LM239A . . . D PACKAGE
LM339, LM339A . . . D, DB, N, NS, OR PW PACKAGE
LM2901 . . . D, N, NS, OR PW PACKAGE
(TOP VIEW)



LM139, LM139A . . . FK PACKAGE
(TOP VIEW)



NC – No internal connection



Please be aware that an important notice concerning availability, standard warranty, and use in critical applications of Texas Instruments semiconductor products and disclaimers thereto appears at the end of this data sheet.

PRODUCTION DATA information is current as of publication date. Products conform to specifications per the terms of Texas Instruments standard warranty. Production processing does not necessarily include testing of all parameters.

 **TEXAS
INSTRUMENTS**

POST OFFICE BOX 655303 • DALLAS, TEXAS 75265

Copyright © 2004, Texas Instruments Incorporated
On products compliant to MIL-PRF-38535, all parameters are tested unless otherwise noted. On all other products, production processing does not necessarily include testing of all parameters.

**LM139, LM139A, LM239, LM239A,
LM339, LM339A, LM2901, LM2901V
QUAD DIFFERENTIAL COMPARATORS**

SLCS006L – OCTOBER 1979 – REVISED JUNE 2004

description/ordering information (continued)

ORDERING INFORMATION

| TA | V _{IOMAX} AT 25°C | MAX V _{CC} | PACKAGE† | | ORDERABLE PART NUMBER | TOP-SIDE MARKING |
|----------------|-------------------------------|---------------------|--------------|--------------|--------------------------|---------------------|
| 0°C to 70°C | 5 mV | 30 V | PDIP (N) | Tube of 25 | LM339N | LM339N |
| | | | SOIC (D) | Tube of 50 | LM339D | LM339 |
| | | | | Reel of 2500 | LM339DR | |
| | | | SOP (NS) | Reel of 2000 | LM339NSR | LM339 |
| | | | SSOP (DB) | Reel of 2000 | LM339DBR | LM339 |
| | TSSOP (PW) | Tube of 90 | LM339PW | L339 | | |
| | | Reel of 2000 | LM339PWR | | | |
| | 2 mV | 30 V | PDIP (N) | Tube of 25 | LM339AN | LM339AN |
| | | | SOIC (D) | Tube of 50 | LM339AD | LM339A |
| | | | | Reel of 2500 | LM339ADR | |
| SOP (NS) | | | Reel of 2000 | LM339ANSR | LM339A | |
| SSOP (DB) | | | Reel of 2000 | LM339ADBR | L339A | |
| TSSOP (PW) | Tube of 90 | LM339APW | L339A | | | |
| | Reel of 2000 | LM339APWR | | | | |
| -25°C to 85°C | 5 mV | 30 V | PDIP (N) | Tube of 25 | LM239N | LM239N |
| | | | SOIC (D) | Tube of 50 | LM239D | LM239 |
| | | | | Reel of 2500 | LM239DR | |
| | TSSOP (PW) | Tube of 90 | LM239PW | L239 | | |
| | | Reel of 2000 | LM239PWR | | | |
| 2 mV | 30 V | SOIC (D) | Tube of 50 | LM239AD | LM239A | |
| | | | Reel of 2500 | LM239ADR | | |
| -40°C to 125°C | 7 mV | 30 V | PDIP (N) | Tube of 25 | LM2901N | LM2901N |
| | | | SOIC (D) | Tube of 50 | LM2901D | LM2901 |
| | | | | Reel of 2500 | LM2901DR | |
| | | | SOP (NS) | Reel of 2000 | LM2901NSR | LM2901 |
| | TSSOP (PW) | Tube of 90 | LM2901PW | L2901 | | |
| | | Reel of 2000 | LM2901PWR | | | |
| | 7 mV | 32 V | SOIC (D) | Reel of 2500 | LM2901VQDR | L2901V |
| | | | TSSOP (PW) | Reel of 2000 | LM2901VQPWR | L2901V |
| 2 mV | 32 V | SOIC (D) | Reel of 2500 | LM2901AVQDR | L2901AV | |
| | | TSSOP (PW) | Reel of 2000 | LM2901AVQPWR | L2901AV | |

† Package drawings, standard packing quantities, thermal data, symbolization, and PCB design guidelines are available at www.ti.com/sc/package.



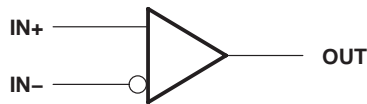
description/ordering information (continued)

ORDERING INFORMATION

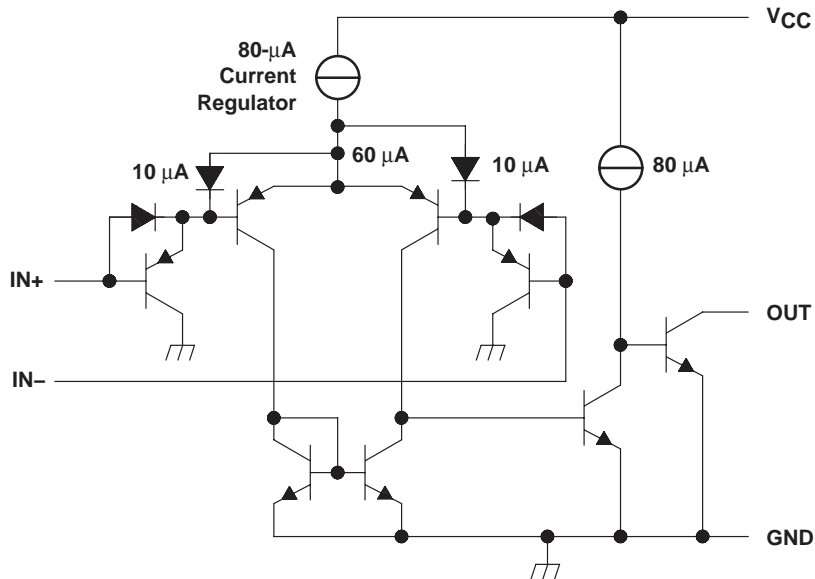
| TA | V _{IO} max AT 25°C | MAX V _{CC} | PACKAGE† | | ORDERABLE PART NUMBER | TOP-SIDE MARKING |
|----------------|--------------------------------|---------------------|-----------|--------------|--------------------------|---------------------|
| -55°C to 125°C | 5 mV | 30 V | CFP (W) | Tube of 25 | LM139W | LM139W |
| | | | CDIP (J) | Tube of 25 | LM139J | LM139J |
| | | | LCCC (FK) | Tube of 55 | LM139FK | LM139FK |
| | | | SOIC (D) | Tube of 50 | LM139D | LM139D |
| | Reel of 2500 | LM139DR | | | | |
| | 2 mV | 30 V | CFP (W) | Tube of 25 | LM139AW | LM139AW |
| | | | CDIP (J) | Tube of 25 | LM139AJ | LM139AJ |
| | | | LCCC (FK) | Tube of 55 | LM139AFK | LM139AFK |
| | | | SOIC (D) | Tube of 50 | LM139AD | LM139AD |
| | | | | Reel of 2500 | LM139ADR | |

† Package drawings, standard packing quantities, thermal data, symbolization, and PCB design guidelines are available at www.ti.com/sc/package.

symbol (each comparator)



schematic (each comparator)



All current values shown are nominal.

**LM139, LM139A, LM239, LM239A,
LM339, LM339A, LM2901, LM2901V
QUAD DIFFERENTIAL COMPARATORS**

SLCS006L – OCTOBER 1979 – REVISED JUNE 2004

absolute maximum ratings over operating free-air temperature range (unless otherwise noted)†

| | |
|---|----------------|
| Supply voltage, V_{CC} (see Note 1) | 36 V |
| Differential input voltage, V_{ID} (see Note 2) | ± 36 V |
| Input voltage range, V_I (either input) | -0.3 V to 36 V |
| Output voltage, V_O | 36 V |
| Output current, I_O | 20 mA |
| Duration of output short circuit to ground (see Note 3) | Unlimited |
| Package thermal impedance, θ_{JA} (see Notes 4 and 5): | |
| D package | 86°C/W |
| DB package | 96°C/W |
| N package | 80°C/W |
| NS package | 76°C/W |
| PW package | 113°C/W |
| Package thermal impedance, θ_{JC} (see Notes 6 and 7): | |
| FK package | 5.61°C/W |
| J package | 15.05°C/W |
| W package | 14.65°C/W |
| Operating virtual junction temperature, T_J | 150°C |
| Case temperature for 60 seconds: FK package | 260°C |
| Lead temperature 1,6 mm (1/16 inch) from case for 60 seconds: J package | 300°C |
| Storage temperature range, T_{stg} | -65°C to 150°C |

† Stresses beyond those listed under “absolute maximum ratings” may cause permanent damage to the device. These are stress ratings only, and functional operation of the device at these or any other conditions beyond those indicated under “recommended operating conditions” is not implied. Exposure to absolute-maximum-rated conditions for extended periods may affect device reliability.

- NOTES:
1. All voltage values, except differential voltages, are with respect to network ground.
 2. Differential voltages are at IN+ with respect to IN-.
 3. Short circuits from outputs to V_{CC} can cause excessive heating and eventual destruction.
 4. Maximum power dissipation is a function of $T_J(\max)$, θ_{JA} , and T_A . The maximum allowable power dissipation at any allowable ambient temperature is $P_D = (T_J(\max) - T_A)/\theta_{JA}$. Operating at the absolute maximum T_J of 150°C can affect reliability.
 5. The package thermal impedance is calculated in accordance with JESD 51-7.
 6. Maximum power dissipation is a function of $T_J(\max)$, θ_{JC} , and T_C . The maximum allowable power dissipation at any allowable case temperature is $P_D = (T_J(\max) - T_C)/\theta_{JC}$. Operating at the absolute maximum T_J of 150°C can affect reliability.
 7. The package thermal impedance is calculated in accordance with MIL-STD-883.



**LM139, LM139A, LM239, LM239A,
LM339, LM339A, LM2901, LM2901V
QUAD DIFFERENTIAL COMPARATORS**

SLCS006L – OCTOBER 1979 – REVISED JUNE 2004

electrical characteristics at specified free-air temperature, $V_{CC} = 5\text{ V}$ (unless otherwise noted)

| PARAMETER | TEST CONDITIONS† | T_A ‡ | LM139 | | | LM139A | | | UNIT |
|--|--|------------------------|------------|-------------------|------|--------|-------------------|------|---------------|
| | | | MIN | TYP | MAX | MIN | TYP | MAX | |
| V_{IO} Input offset voltage | $V_{CC} = 5\text{ V to }30\text{ V}$, $V_{IC} = V_{ICR}(\text{min})$, $V_O = 1.4\text{ V}$ | 25°C | | 2 | 5 | | 1 | 2 | mV |
| | | Full range | | | 9 | | | 4 | |
| I_{IO} Input offset current | $V_O = 1.4\text{ V}$ | 25°C | | 3 | 25 | | 3 | 25 | nA |
| | | Full range | | | 100 | | | 100 | |
| I_{IB} Input bias current | $V_O = 1.4\text{ V}$ | 25°C | | -25 | -100 | | -25 | -100 | nA |
| | | Full range | | | -300 | | | -300 | |
| V_{ICR} Common-mode input-voltage range | | 25°C | | 0 to $V_{CC}-1.5$ | | | 0 to $V_{CC}-1.5$ | | V |
| | | Full range | | 0 to $V_{CC}-2$ | | | 0 to $V_{CC}-2$ | | |
| A_{VD} Large-signal differential-voltage amplification | $V_{CC}^{\pm} = \pm 7.5\text{ V}$, $V_O = -5\text{ V to }5\text{ V}$ | 25°C | | 200 | | 50 | 200 | V/mV | |
| I_{OH} High-level output current | $V_{ID} = 1\text{ V}$ | $V_{OH} = 5\text{ V}$ | 25°C | | 0.1 | | 0.1 | nA | |
| | | $V_{OH} = 30\text{ V}$ | Full range | | | 1 | | 1 | μA |
| V_{OL} Low-level output voltage | $V_{ID} = -1\text{ V}$, $I_{OL} = 4\text{ mA}$ | 25°C | | 150 | 400 | | 150 | 400 | mV |
| | | Full range | | | 700 | | | 700 | |
| I_{OL} Low-level output current | $V_{ID} = -1\text{ V}$, $V_{OL} = 1.5\text{ V}$ | 25°C | | 6 | 16 | | 6 | 16 | mA |
| I_{CC} Supply current (four comparators) | $V_O = 2.5\text{ V}$, No load | 25°C | | 0.8 | 2 | | 0.8 | 2 | mA |

† All characteristics are measured with zero common-mode input voltage, unless otherwise specified.

‡ Full range (MIN to MAX) for LM139 and LM139A is -55°C to 125°C . All characteristics are measured with zero common-mode input voltage, unless otherwise specified.

switching characteristics, $V_{CC} = 5\text{ V}$, $T_A = 25^{\circ}\text{C}$

| PARAMETER | TEST CONDITIONS | LM139 LM139A | | | UNIT |
|---------------|---|---------------------------------------|-----|-----|------|
| | | MIN | TYP | MAX | |
| Response time | R_L connected to 5 V through 5.1 k Ω , $C_L = 15\text{ pF}$ §, See Note 8 | 100-mV input step with 5-mV overdrive | | | 1.3 |
| | | TTL-level input step | | | 0.3 |

§ C_L includes probe and jig capacitance.

NOTE 8: The response time specified is the interval between the input step function and the instant when the output crosses 1.4 V.



**LM139, LM139A, LM239, LM239A,
LM339, LM339A, LM2901, LM2901V
QUAD DIFFERENTIAL COMPARATORS**

SLCS006L – OCTOBER 1979 – REVISED JUNE 2004

electrical characteristics at specified free-air temperature, $V_{CC} = 5\text{ V}$ (unless otherwise noted)

| PARAMETER | TEST CONDITIONS† | T_A ‡ | LM239 LM339 | | | LM239A LM339A | | | UNIT | |
|--|--|------------------------|----------------|-------------------|------|------------------|-------------------|------|------|---------------|
| | | | MIN | TYP | MAX | MIN | TYP | MAX | | |
| V_{IO} Input offset voltage | $V_{CC} = 5\text{ V to }30\text{ V}$, $V_{IC} = V_{ICR}(\text{min})$, $V_O = 1.4\text{ V}$ | 25°C | | 2 | 5 | | 1 | 3 | mV | |
| | | Full range | | | 9 | | | 4 | | |
| I_{IO} Input offset current | $V_O = 1.4\text{ V}$ | 25°C | | 5 | 50 | | 5 | 50 | nA | |
| | | Full range | | | 150 | | | 150 | | |
| I_{IB} Input bias current | $V_O = 1.4\text{ V}$ | 25°C | | -25 | -250 | | -25 | -250 | nA | |
| | | Full range | | | -400 | | | -400 | | |
| V_{ICR} Common-mode input-voltage range | | 25°C | | 0 to $V_{CC}-1.5$ | | | 0 to $V_{CC}-1.5$ | | V | |
| | | Full range | | 0 to $V_{CC}-2$ | | | 0 to $V_{CC}-2$ | | | |
| A_{VD} Large-signal differential-voltage amplification | $V_{CC} = 15\text{ V}$, $V_O = 1.4\text{ V to }11.4\text{ V}$, $R_L \geq 15\text{ k}\Omega\text{ to }V_{CC}$ | 25°C | | 50 | 200 | | 50 | 200 | V/mV | |
| I_{OH} High-level output current | $V_{ID} = 1\text{ V}$ | $V_{OH} = 5\text{ V}$ | 25°C | | 0.1 | 50 | | 0.1 | 50 | nA |
| | | $V_{OH} = 30\text{ V}$ | Full range | | | 1 | | | 1 | μA |
| V_{OL} Low-level output voltage | $V_{ID} = -1\text{ V}$, $I_{OL} = 4\text{ mA}$ | 25°C | | 150 | 400 | | 150 | 400 | mV | |
| | | Full range | | | 700 | | | 700 | | |
| I_{OL} Low-level output current | $V_{ID} = -1\text{ V}$, $V_{OL} = 1.5\text{ V}$ | 25°C | | 6 | 16 | | 6 | 16 | mA | |
| I_{CC} Supply current (four comparators) | $V_O = 2.5\text{ V}$, No load | 25°C | | 0.8 | 2 | | 0.8 | 2 | mA | |

† All characteristics are measured with zero common-mode input voltage, unless otherwise specified.

‡ Full range (MIN to MAX) for LM239 and LM239A is -25°C to 85°C, for LM339 and LM339A is 0°C to 70°C. All characteristics are measured with zero common-mode input voltage, unless otherwise specified.

switching characteristics, $V_{CC} = 5\text{ V}$, $T_A = 25^\circ\text{C}$

| PARAMETER | TEST CONDITIONS | LM239, LM239A, LM339, LM339A | | | UNIT |
|---------------|---|---------------------------------------|-----|-----|---------------|
| | | MIN | TYP | MAX | |
| Response time | R_L connected to 5 V through 5.1 k Ω , $C_L = 15\text{ pF}$ §, See Note 8 | 100-mV input step with 5-mV overdrive | | | μs |
| | | TTL-level input step | | | |

§ C_L includes probe and jig capacitance.

NOTE 8: The response time specified is the interval between the input step function and the instant when the output crosses 1.4 V.



**LM139, LM139A, LM239, LM239A,
LM339, LM339A, LM2901, LM2901V
QUAD DIFFERENTIAL COMPARATORS**

SLCS006L – OCTOBER 1979 – REVISED JUNE 2004

electrical characteristics at specified free-air temperature, $V_{CC} = 5\text{ V}$ (unless otherwise noted)

| PARAMETER | TEST CONDITIONST | | T_A † | LM2901 | | | UNIT |
|--|---|-------------------------|--------------------------------|-------------------|------|------|---------------|
| | | | | MIN | TYP | MAX | |
| V_{IO} Input offset voltage | $V_{IC} = V_{ICR}(\text{min}),$ $V_O = 1.4\text{ V},$ $V_{CC} = 5\text{ V to MAX}§$ | Non-A devices | 25°C | 2 | 7 | mV | |
| | | | Full range | 15 | | | |
| | | A-suffix devices | 25°C | 1 | 2 | | |
| | | | Full range | 4 | | | |
| I_{IO} Input offset current | $V_O = 1.4\text{ V}$ | | 25°C | 5 | 50 | nA | |
| | | | Full range | 200 | | | |
| I_{IB} Input bias current | $V_O = 1.4\text{ V}$ | | 25°C | -25 | -250 | nA | |
| | | | Full range | -500 | | | |
| V_{ICR} Common-mode input-voltage range | | | 25°C | 0 to $V_{CC}-1.5$ | | V | |
| | | | Full range | 0 to $V_{CC}-2$ | | | |
| A_{VD} Large-signal differential-voltage amplification | $V_{CC} = 15\text{ V},$ $V_O = 1.4\text{ V to } 11.4\text{ V},$ $R_L \geq 15\text{ k}\Omega \text{ to } V_{CC}$ | | 25°C | 25 | 100 | V/mV | |
| I_{OH} High-level output current | $V_{ID} = 1\text{ V}$ | | $V_{OH} = 5\text{ V}$ | 25°C | 0.1 | 50 | nA |
| | | | $V_{OH} = V_{CC} \text{ MAX}§$ | Full range | 1 | | μA |
| V_{OL} Low-level output voltage | $V_{ID} = -1\text{ V},$ $I_{OL} = 4\text{ mA}$ | Non-V devices | 25°C | 150 | 500 | mV | |
| | | V-suffix devices | | 150 | 400 | | |
| | | All devices | Full range | 700 | | | |
| I_{OL} Low-level output current | $V_{ID} = -1\text{ V},$ | $V_{OL} = 1.5\text{ V}$ | 25°C | 6 | 16 | mA | |
| I_{CC} Supply current (four comparators) | $V_O = 2.5\text{ V},$ No load | | $V_{CC} = 5\text{ V}$ | 25°C | 0.8 | 2 | mA |
| | | | $V_{CC} = \text{MAX}§$ | | 1 | 2.5 | |

† All characteristics are measured with zero common-mode input voltage, unless otherwise specified.

‡ Full range (MIN to MAX) for LM2901 is -40°C to 125°C . All characteristics are measured with zero common-mode input voltage, unless otherwise specified.

§ $V_{CC} \text{ MAX} = 30\text{ V}$ for non-V devices, and 32 V for V-suffix devices.

switching characteristics, $V_{CC} = 5\text{ V}, T_A = 25^\circ\text{C}$

| PARAMETER | TEST CONDITIONS | | LM2901 | | | UNIT |
|---------------|--|---------------------------------------|--------|-----|-----|---------------|
| | | | MIN | TYP | MAX | |
| Response time | R_L connected to 5 V through $5.1\text{ k}\Omega,$ $C_L = 15\text{ pF} $, See Note 8 | 100-mV input step with 5-mV overdrive | 1.3 | | | μs |
| | | TTL-level input step | 0.3 | | | |

|| C_L includes probe and jig capacitance.

NOTE 8: The response time specified is the interval between the input step function and the instant when the output crosses 1.4 V .



PACKAGING INFORMATION

| Orderable Device | Status ⁽¹⁾ | Package Type | Package Drawing | Pins | Package Qty | Eco Plan ⁽²⁾ | Lead/Ball Finish | MSL Peak Temp ⁽³⁾ |
|------------------|-----------------------|--------------|-----------------|------|-------------|-------------------------|------------------|--|
| 5962-7700801VCA | ACTIVE | CDIP | J | 14 | 1 | None | A42 SNPB | Level-NC-NC-NC |
| 5962-87739012A | ACTIVE | LCCC | FK | 20 | 1 | None | POST-PLATE | Level-NC-NC-NC |
| 5962-8773901CA | ACTIVE | CDIP | J | 14 | 1 | None | A42 SNPB | Level-NC-NC-NC |
| 5962-8773901DA | ACTIVE | CFP | W | 14 | 1 | None | A42 SNPB | Level-NC-NC-NC |
| 77008012A | ACTIVE | LCCC | FK | 20 | 1 | None | POST-PLATE | Level-NC-NC-NC |
| 7700801CA | ACTIVE | CDIP | J | 14 | 1 | None | A42 SNPB | Level-NC-NC-NC |
| 7700801DA | ACTIVE | CFP | W | 14 | 1 | None | A42 SNPB | Level-NC-NC-NC |
| JM38510/11201BCA | ACTIVE | CDIP | J | 14 | 1 | None | A42 SNPB | Level-NC-NC-NC |
| LM139AD | ACTIVE | SOIC | D | 14 | 50 | None | CU NIPDAU | Level-3-245C-168 HR |
| LM139ADR | ACTIVE | SOIC | D | 14 | 2500 | Pb-Free (RoHS) | CU NIPDAU | Level-2-250C-1 YEAR/ Level-1-235C-UNLIM |
| LM139AFKB | ACTIVE | LCCC | FK | 20 | 1 | None | POST-PLATE | Level-NC-NC-NC |
| LM139AJ | ACTIVE | CDIP | J | 14 | 1 | None | A42 SNPB | Level-NC-NC-NC |
| LM139AJB | ACTIVE | CDIP | J | 14 | 1 | None | A42 SNPB | Level-NC-NC-NC |
| LM139AN | OBSOLETE | PDIP | N | 14 | | None | Call TI | Call TI |
| LM139AW | ACTIVE | CFP | W | 14 | 1 | None | A42 SNPB | Level-NC-NC-NC |
| LM139AWB | ACTIVE | CFP | W | 14 | 1 | None | A42 SNPB | Level-NC-NC-NC |
| LM139D | ACTIVE | SOIC | D | 14 | 50 | None | CU NIPDAU | Level-1-220C-UNLIM |
| LM139DR | ACTIVE | SOIC | D | 14 | 2500 | None | CU NIPDAU | Level-1-220C-UNLIM |
| LM139FKB | ACTIVE | LCCC | FK | 20 | 1 | None | POST-PLATE | Level-NC-NC-NC |
| LM139J | ACTIVE | CDIP | J | 14 | 1 | None | A42 SNPB | Level-NC-NC-NC |
| LM139JB | ACTIVE | CDIP | J | 14 | 1 | None | A42 SNPB | Level-NC-NC-NC |
| LM139N | OBSOLETE | PDIP | N | 14 | | None | Call TI | Call TI |
| LM139W | ACTIVE | CFP | W | 14 | 1 | None | A42 SNPB | Level-NC-NC-NC |
| LM139WB | ACTIVE | CFP | W | 14 | 1 | None | A42 SNPB | Level-NC-NC-NC |
| LM239AD | ACTIVE | SOIC | D | 14 | 50 | Pb-Free (RoHS) | CU NIPDAU | Level-2-260C-1 YEAR/ Level-1-235C-UNLIM |
| LM239ADR | ACTIVE | SOIC | D | 14 | 2500 | Pb-Free (RoHS) | CU NIPDAU | Level-2-260C-1 YEAR/ Level-1-235C-UNLIM |
| LM239AN | OBSOLETE | PDIP | N | 14 | | None | Call TI | Call TI |
| LM239D | ACTIVE | SOIC | D | 14 | 50 | Pb-Free (RoHS) | CU NIPDAU | Level-2-260C-1 YEAR/ Level-1-235C-UNLIM |
| LM239DR | ACTIVE | SOIC | D | 14 | 2500 | Pb-Free (RoHS) | CU NIPDAU | Level-2-260C-1 YEAR/ Level-1-235C-UNLIM |
| LM239N | ACTIVE | PDIP | N | 14 | 25 | Pb-Free (RoHS) | CU NIPDAU | Level-NC-NC-NC |
| LM239PW | ACTIVE | TSSOP | PW | 14 | 90 | Pb-Free (RoHS) | CU NIPDAU | Level-1-250C-UNLIM |
| LM239PWR | ACTIVE | TSSOP | PW | 14 | 2000 | Pb-Free (RoHS) | CU NIPDAU | Level-1-250C-UNLIM |
| LM2901AVQDR | ACTIVE | SOIC | D | 14 | 2500 | Pb-Free (RoHS) | CU NIPDAU | Level-2-250C-1 YEAR/ Level-1-235C-UNLIM |
| LM2901AVQPWR | ACTIVE | TSSOP | PW | 14 | 2000 | None | CU NIPDAU | Level-1-250C-UNLIM |
| LM2901D | ACTIVE | SOIC | D | 14 | 50 | Pb-Free (RoHS) | CU NIPDAU | Level-2-260C-1 YEAR/ Level-1-235C-UNLIM |

| Orderable Device | Status ⁽¹⁾ | Package Type | Package Drawing | Pins | Package Qty | Eco Plan ⁽²⁾ | Lead/Ball Finish | MSL Peak Temp ⁽³⁾ |
|------------------|-----------------------|--------------|-----------------|------|-------------|-------------------------|------------------|--|
| LM2901DR | ACTIVE | SOIC | D | 14 | 2500 | Pb-Free (RoHS) | CU NIPDAU | Level-2-260C-1 YEAR/ Level-1-235C-UNLIM |
| LM2901N | ACTIVE | PDIP | N | 14 | 25 | Pb-Free (RoHS) | CU NIPDAU | Level-NC-NC-NC |
| LM2901NSR | ACTIVE | SO | NS | 14 | 2000 | Pb-Free (RoHS) | CU NIPDAU | Level-2-260C-1 YEAR/ Level-1-235C-UNLIM |
| LM2901PW | ACTIVE | TSSOP | PW | 14 | 90 | Pb-Free (RoHS) | CU NIPDAU | Level-1-250C-UNLIM |
| LM2901PWLE | OBSOLETE | TSSOP | PW | 14 | | None | Call TI | Call TI |
| LM2901PWR | ACTIVE | TSSOP | PW | 14 | 2000 | Pb-Free (RoHS) | CU NIPDAU | Level-1-250C-UNLIM |
| LM2901QD | OBSOLETE | SOIC | D | 14 | | None | Call TI | Call TI |
| LM2901QN | OBSOLETE | PDIP | N | 14 | | None | Call TI | Call TI |
| LM2901VQDR | ACTIVE | SOIC | D | 14 | 2500 | Pb-Free (RoHS) | CU NIPDAU | Level-2-250C-1 YEAR/ Level-1-235C-UNLIM |
| LM2901VQPWR | ACTIVE | TSSOP | PW | 14 | 2000 | None | CU NIPDAU | Level-1-250C-UNLIM |
| LM339AD | ACTIVE | SOIC | D | 14 | 50 | Pb-Free (RoHS) | CU NIPDAU | Level-2-260C-1 YEAR/ Level-1-235C-UNLIM |
| LM339ADBR | ACTIVE | SSOP | DB | 14 | 2000 | Pb-Free (RoHS) | CU NIPDAU | Level-2-260C-1 YEAR/ Level-1-235C-UNLIM |
| LM339ADR | ACTIVE | SOIC | D | 14 | 2500 | Pb-Free (RoHS) | CU NIPDAU | Level-2-260C-1 YEAR/ Level-1-235C-UNLIM |
| LM339AN | ACTIVE | PDIP | N | 14 | 25 | Pb-Free (RoHS) | CU NIPDAU | Level-NC-NC-NC |
| LM339ANSR | ACTIVE | SO | NS | 14 | 2000 | Pb-Free (RoHS) | CU NIPDAU | Level-2-260C-1 YEAR/ Level-1-235C-UNLIM |
| LM339APW | ACTIVE | TSSOP | PW | 14 | 90 | Pb-Free (RoHS) | CU NIPDAU | Level-1-250C-UNLIM |
| LM339APWR | ACTIVE | TSSOP | PW | 14 | 2000 | Pb-Free (RoHS) | CU NIPDAU | Level-1-250C-UNLIM |
| LM339D | ACTIVE | SOIC | D | 14 | 50 | Pb-Free (RoHS) | CU NIPDAU | Level-2-260C-1 YEAR/ Level-1-235C-UNLIM |
| LM339DBLE | OBSOLETE | SSOP | DB | 14 | | None | Call TI | Call TI |
| LM339DBR | ACTIVE | SSOP | DB | 14 | 2000 | Pb-Free (RoHS) | CU NIPDAU | Level-2-260C-1 YEAR/ Level-1-235C-UNLIM |
| LM339DR | ACTIVE | SOIC | D | 14 | 2500 | Pb-Free (RoHS) | CU NIPDAU | Level-2-260C-1 YEAR/ Level-1-235C-UNLIM |
| LM339N | ACTIVE | PDIP | N | 14 | 25 | Pb-Free (RoHS) | CU NIPDAU | Level-NC-NC-NC |
| LM339NSLE | OBSOLETE | SO | NS | 14 | | None | Call TI | Call TI |
| LM339NSR | ACTIVE | SO | NS | 14 | 2000 | Pb-Free (RoHS) | CU NIPDAU | Level-2-260C-1 YEAR/ Level-1-235C-UNLIM |
| LM339PW | ACTIVE | TSSOP | PW | 14 | 90 | Pb-Free (RoHS) | CU NIPDAU | Level-1-250C-UNLIM |
| LM339PWLE | OBSOLETE | TSSOP | PW | 14 | | None | Call TI | Call TI |
| LM339PWR | ACTIVE | TSSOP | PW | 14 | 2000 | Pb-Free (RoHS) | CU NIPDAU | Level-1-250C-UNLIM |
| LM339Y | OBSOLETE | | | 0 | | None | Call TI | Call TI |

⁽¹⁾ The marketing status values are defined as follows:

ACTIVE: Product device recommended for new designs.

LIFEBUY: TI has announced that the device will be discontinued, and a lifetime-buy period is in effect.

NRND: Not recommended for new designs. Device is in production to support existing customers, but TI does not recommend using this part in a new design.

PREVIEW: Device has been announced but is not in production. Samples may or may not be available.

OBSOLETE: TI has discontinued the production of the device.

(2) Eco Plan - May not be currently available - please check <http://www.ti.com/productcontent> for the latest availability information and additional product content details.

None: Not yet available Lead (Pb-Free).

Pb-Free (RoHS): TI's terms "Lead-Free" or "Pb-Free" mean semiconductor products that are compatible with the current RoHS requirements for all 6 substances, including the requirement that lead not exceed 0.1% by weight in homogeneous materials. Where designed to be soldered at high temperatures, TI Pb-Free products are suitable for use in specified lead-free processes.

Green (RoHS & no Sb/Br): TI defines "Green" to mean "Pb-Free" and in addition, uses package materials that do not contain halogens, including bromine (Br) or antimony (Sb) above 0.1% of total product weight.

(3) MSL, Peak Temp. -- The Moisture Sensitivity Level rating according to the JEDEC industry standard classifications, and peak solder temperature.

Important Information and Disclaimer: The information provided on this page represents TI's knowledge and belief as of the date that it is provided. TI bases its knowledge and belief on information provided by third parties, and makes no representation or warranty as to the accuracy of such information. Efforts are underway to better integrate information from third parties. TI has taken and continues to take reasonable steps to provide representative and accurate information but may not have conducted destructive testing or chemical analysis on incoming materials and chemicals. TI and TI suppliers consider certain information to be proprietary, and thus CAS numbers and other limited information may not be available for release.

In no event shall TI's liability arising out of such information exceed the total purchase price of the TI part(s) at issue in this document sold by TI to Customer on an annual basis.

J (R-GDIP-T**)

14 LEADS SHOWN

CERAMIC DUAL IN-LINE PACKAGE



| DIM \ PINS ** | 14 | 16 | 18 | 20 |
|---------------|------------------------|------------------------|------------------------|------------------------|
| A | 0.300 (7,62) BSC | 0.300 (7,62) BSC | 0.300 (7,62) BSC | 0.300 (7,62) BSC |
| B MAX | 0.785 (19,94) | .840 (21,34) | 0.960 (24,38) | 1.060 (26,92) |
| B MIN | — | — | — | — |
| C MAX | 0.300 (7,62) | 0.300 (7,62) | 0.310 (7,87) | 0.300 (7,62) |
| C MIN | 0.245 (6,22) | 0.245 (6,22) | 0.220 (5,59) | 0.245 (6,22) |

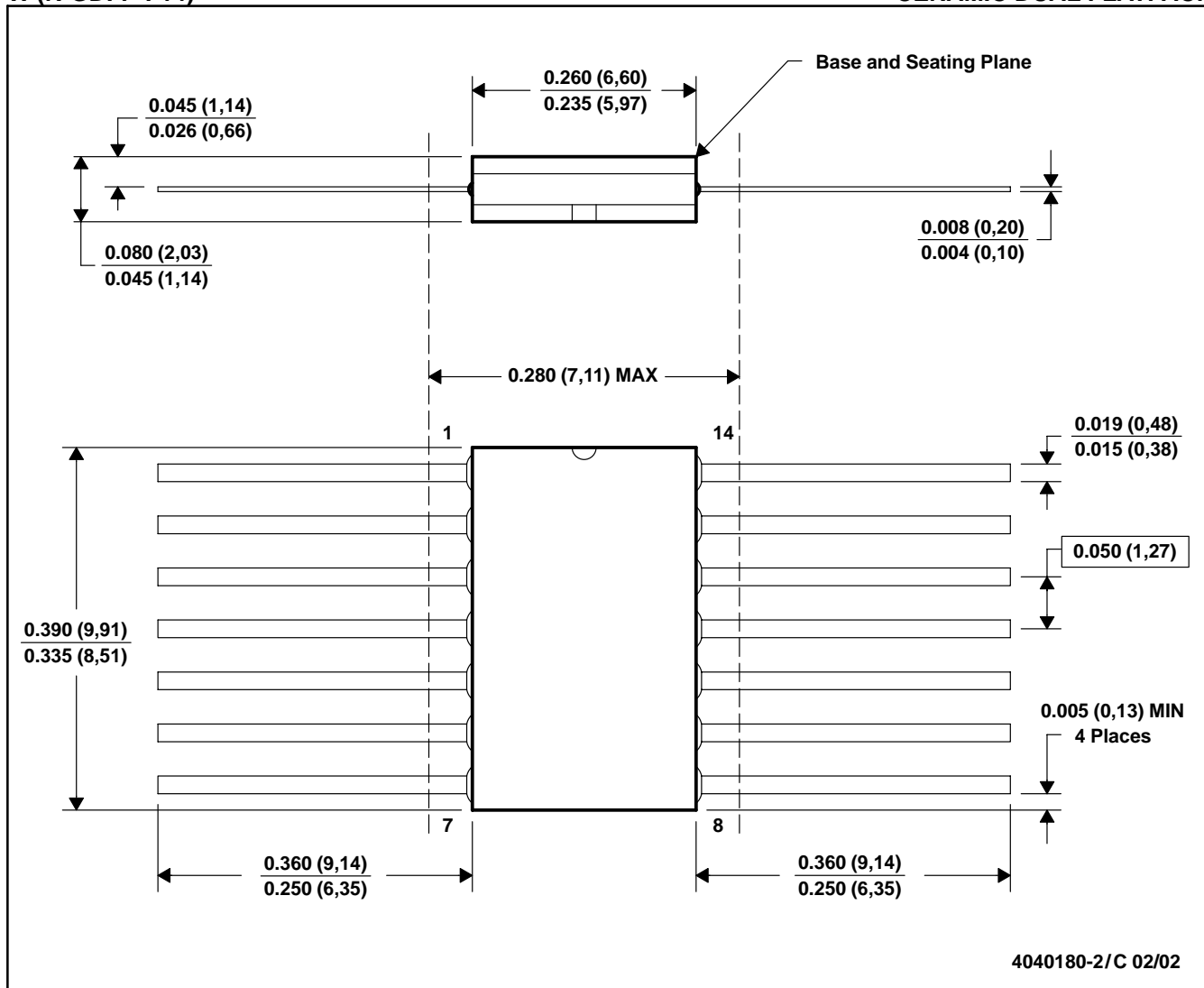


4040083/F 03/03

- NOTES:
- All linear dimensions are in inches (millimeters).
 - This drawing is subject to change without notice.
 - This package is hermetically sealed with a ceramic lid using glass frit.
 - Index point is provided on cap for terminal identification only on press ceramic glass frit seal only.
 - Falls within MIL STD 1835 GDIP1-T14, GDIP1-T16, GDIP1-T18 and GDIP1-T20.

W (R-GDFP-F14)

CERAMIC DUAL FLATPACK



- NOTES:
- A. All linear dimensions are in inches (millimeters).
 - B. This drawing is subject to change without notice.
 - C. This package can be hermetically sealed with a ceramic lid using glass frit.
 - D. Index point is provided on cap for terminal identification only.
 - E. Falls within MIL STD 1835 GDFP1-F14 and JEDEC MO-092AB

FK (S-CQCC-N**)

LEADLESS CERAMIC CHIP CARRIER

28 TERMINAL SHOWN



- NOTES:
- A. All linear dimensions are in inches (millimeters).
 - B. This drawing is subject to change without notice.
 - C. This package can be hermetically sealed with a metal lid.
 - D. The terminals are gold plated.
 - E. Falls within JEDEC MS-004

N (R-PDIP-T**)

PLASTIC DUAL-IN-LINE PACKAGE

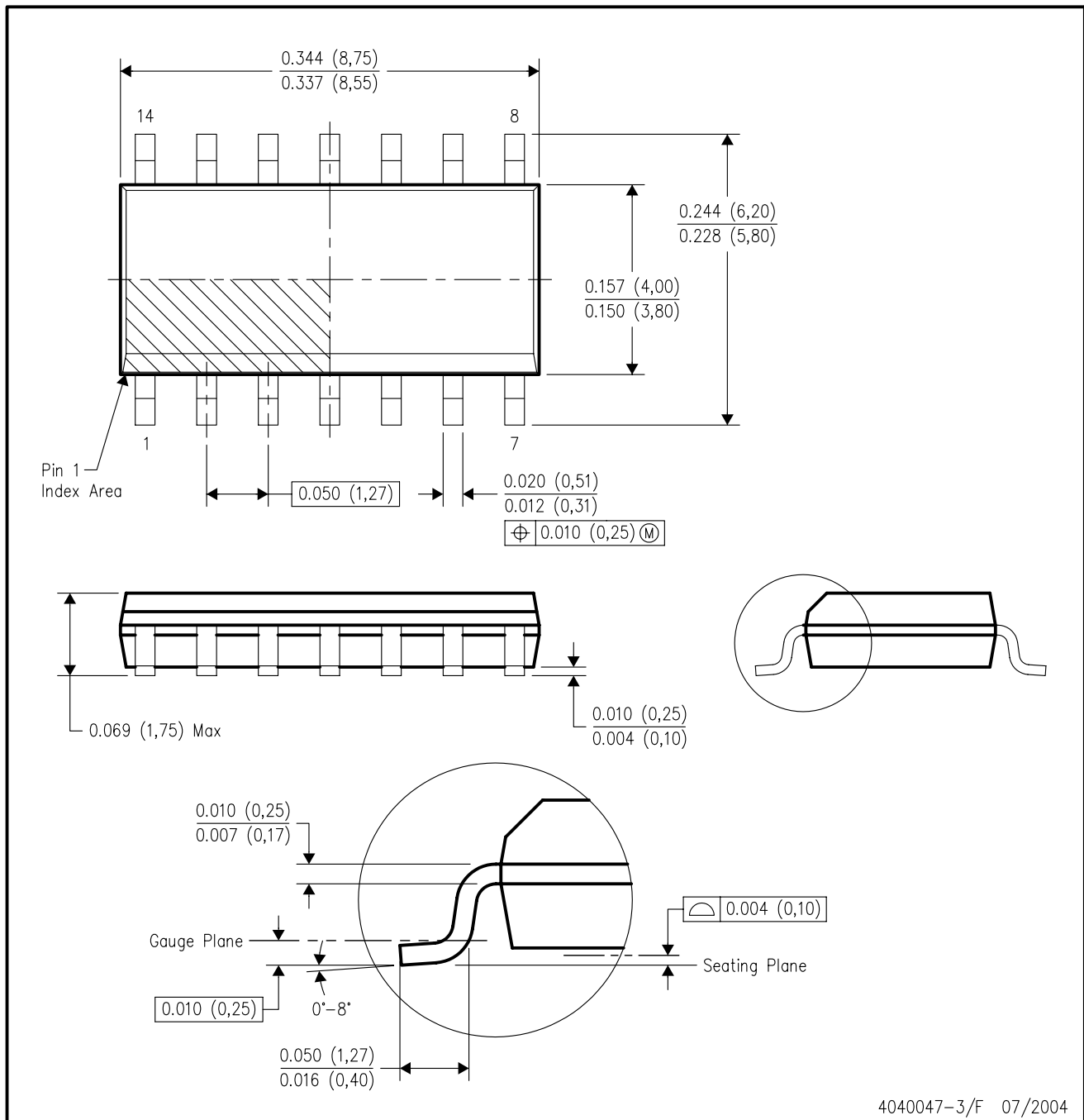
16 PINS SHOWN



- NOTES:
- A. All linear dimensions are in inches (millimeters).
 - B. This drawing is subject to change without notice.
 - Falls within JEDEC MS-001, except 18 and 20 pin minimum body length (Dim A).
 - The 20 pin end lead shoulder width is a vendor option, either half or full width.

D (R-PDSO-G14)

PLASTIC SMALL-OUTLINE PACKAGE



- NOTES:
- A. All linear dimensions are in inches (millimeters).
 - B. This drawing is subject to change without notice.
 - C. Body dimensions do not include mold flash or protrusion not to exceed 0.006 (0,15).
 - D. Falls within JEDEC MS-012 variation AB.

MECHANICAL DATA

NS (R-PDSO-G**)

PLASTIC SMALL-OUTLINE PACKAGE

14-PINS SHOWN



- NOTES:
- A. All linear dimensions are in millimeters.
 - B. This drawing is subject to change without notice.
 - C. Body dimensions do not include mold flash or protrusion, not to exceed 0,15.

DB (R-PDSO-G**)

PLASTIC SMALL-OUTLINE

28 PINS SHOWN



- NOTES: A. All linear dimensions are in millimeters.
 B. This drawing is subject to change without notice.
 C. Body dimensions do not include mold flash or protrusion not to exceed 0,15.
 D. Falls within JEDEC MO-150

PW (R-PDSO-G**)

PLASTIC SMALL-OUTLINE PACKAGE

14 PINS SHOWN



4040064/F 01/97

- NOTES: A. All linear dimensions are in millimeters.
 B. This drawing is subject to change without notice.
 C. Body dimensions do not include mold flash or protrusion not to exceed 0,15.
 D. Falls within JEDEC MO-153

IMPORTANT NOTICE

Texas Instruments Incorporated and its subsidiaries (TI) reserve the right to make corrections, modifications, enhancements, improvements, and other changes to its products and services at any time and to discontinue any product or service without notice. Customers should obtain the latest relevant information before placing orders and should verify that such information is current and complete. All products are sold subject to TI's terms and conditions of sale supplied at the time of order acknowledgment.

TI warrants performance of its hardware products to the specifications applicable at the time of sale in accordance with TI's standard warranty. Testing and other quality control techniques are used to the extent TI deems necessary to support this warranty. Except where mandated by government requirements, testing of all parameters of each product is not necessarily performed.

TI assumes no liability for applications assistance or customer product design. Customers are responsible for their products and applications using TI components. To minimize the risks associated with customer products and applications, customers should provide adequate design and operating safeguards.

TI does not warrant or represent that any license, either express or implied, is granted under any TI patent right, copyright, mask work right, or other TI intellectual property right relating to any combination, machine, or process in which TI products or services are used. Information published by TI regarding third-party products or services does not constitute a license from TI to use such products or services or a warranty or endorsement thereof. Use of such information may require a license from a third party under the patents or other intellectual property of the third party, or a license from TI under the patents or other intellectual property of TI.

Reproduction of information in TI data books or data sheets is permissible only if reproduction is without alteration and is accompanied by all associated warranties, conditions, limitations, and notices. Reproduction of this information with alteration is an unfair and deceptive business practice. TI is not responsible or liable for such altered documentation.

Resale of TI products or services with statements different from or beyond the parameters stated by TI for that product or service voids all express and any implied warranties for the associated TI product or service and is an unfair and deceptive business practice. TI is not responsible or liable for any such statements.

Following are URLs where you can obtain information on other Texas Instruments products and application solutions:

| Products | | Applications | |
|------------------|--|---------------------|--|
| Amplifiers | amplifier.ti.com | Audio | www.ti.com/audio |
| Data Converters | dataconverter.ti.com | Automotive | www.ti.com/automotive |
| DSP | dsp.ti.com | Broadband | www.ti.com/broadband |
| Interface | interface.ti.com | Digital Control | www.ti.com/digitalcontrol |
| Logic | logic.ti.com | Military | www.ti.com/military |
| Power Mgmt | power.ti.com | Optical Networking | www.ti.com/opticalnetwork |
| Microcontrollers | microcontroller.ti.com | Security | www.ti.com/security |
| | | Telephony | www.ti.com/telephony |
| | | Video & Imaging | www.ti.com/video |
| | | Wireless | www.ti.com/wireless |

Mailing Address: Texas Instruments
Post Office Box 655303 Dallas, Texas 75265

Copyright © Each Manufacturing Company.

All Datasheets cannot be modified without permission.

This datasheet has been download from :

www.AllDataSheet.com

100% Free DataSheet Search Site.

Free Download.

No Register.

Fast Search System.

www.AllDataSheet.com